

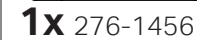
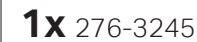
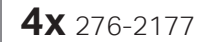
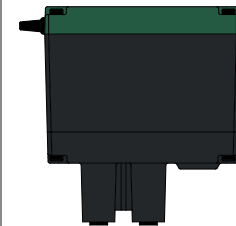
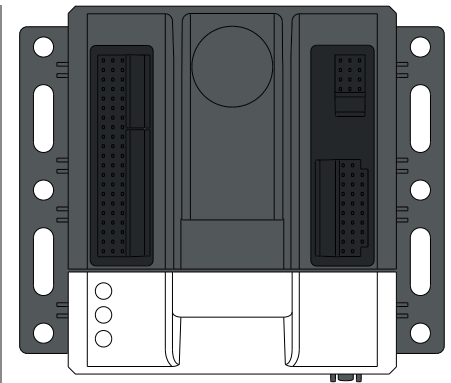
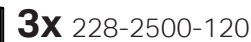
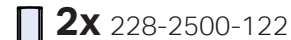
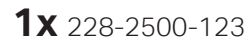
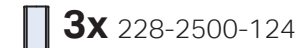
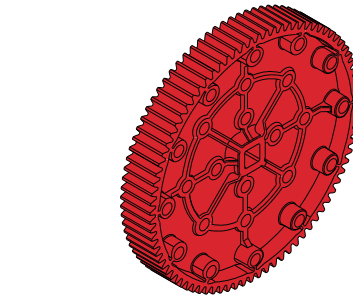
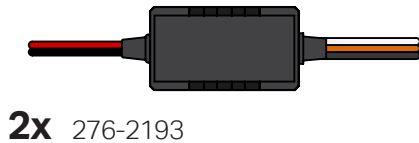
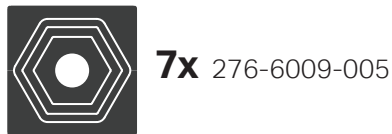
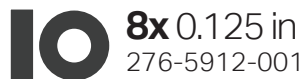
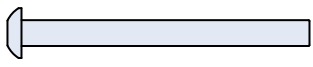
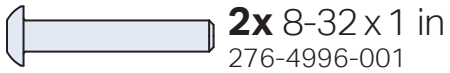
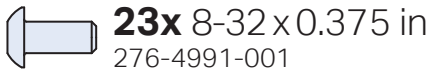
Cortex Clawbot Build Instructions

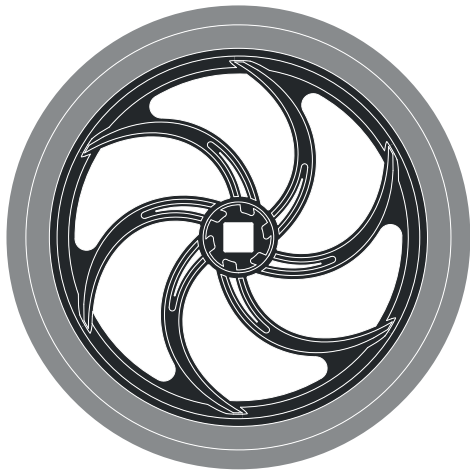


276-6009-751

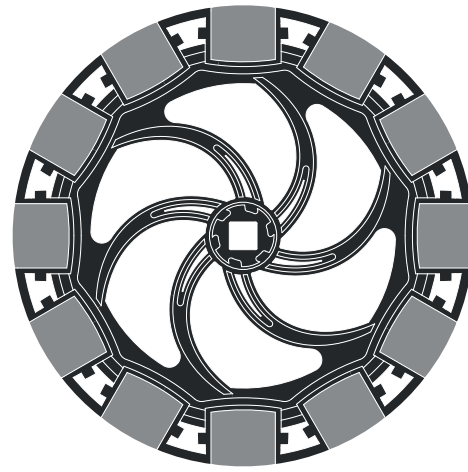
Parts List

All Control System, gears, wheels, wires, and structure are not to scale
All other parts listed are 1:1 scale

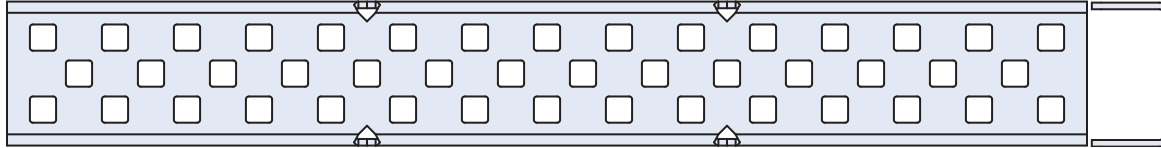




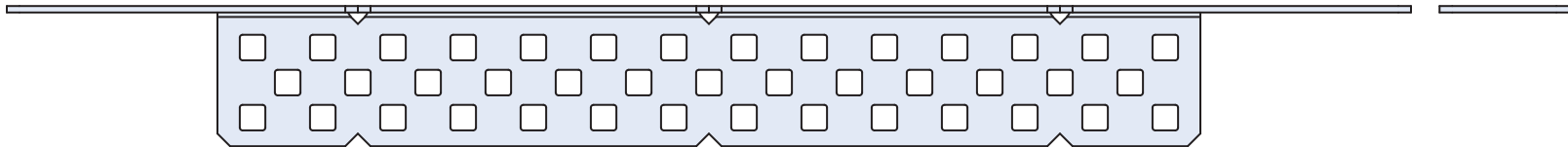
2x 276-6299-000



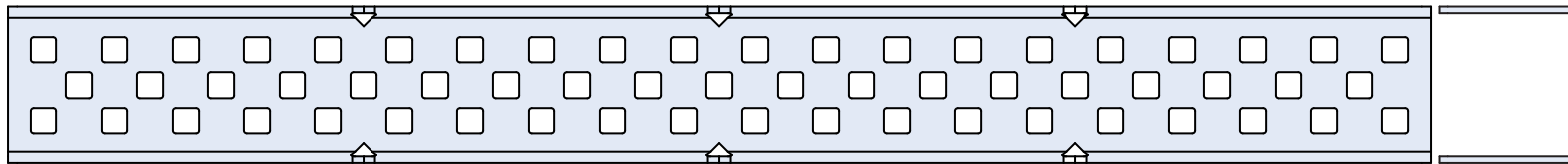
2x 276-6298-000



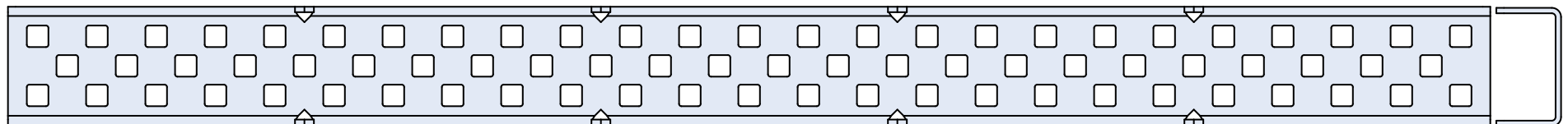
2x 276-2232-028



2x 276-6009-002



3x 276-6009-001



2x 276-2232-029



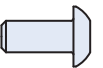
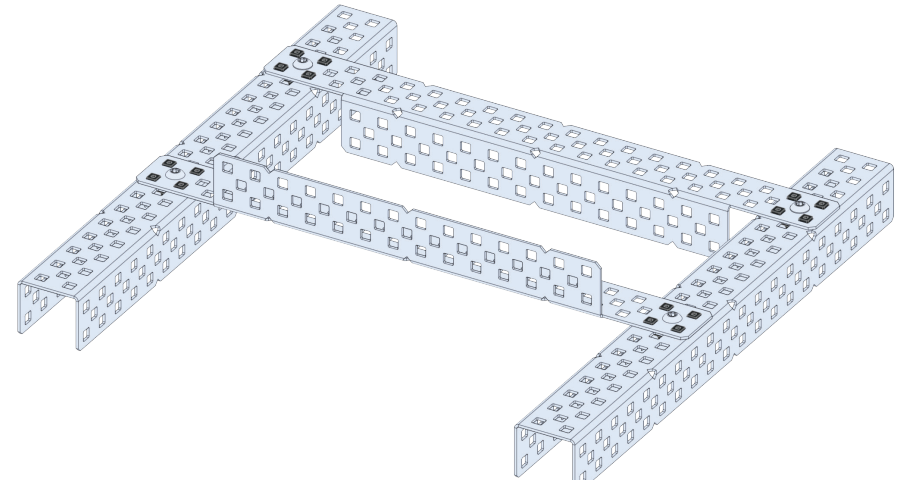
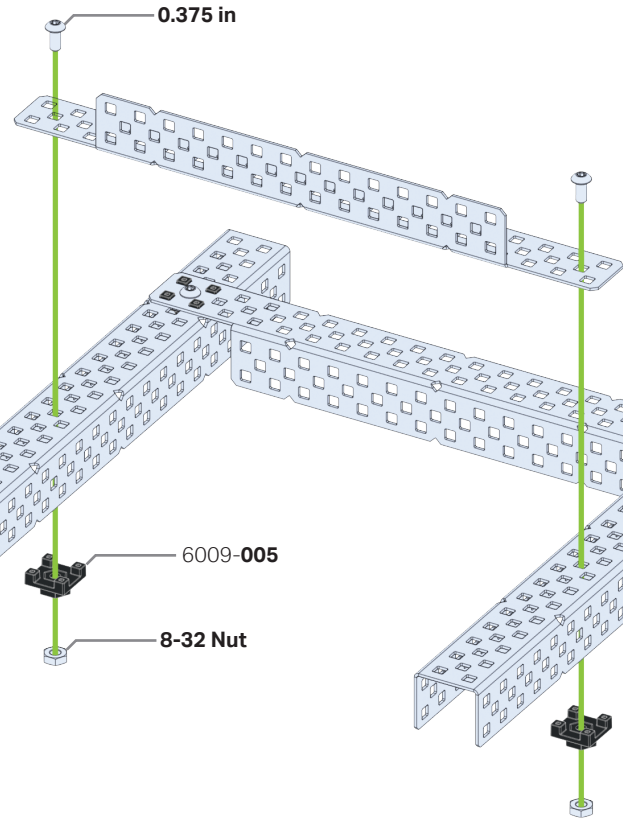
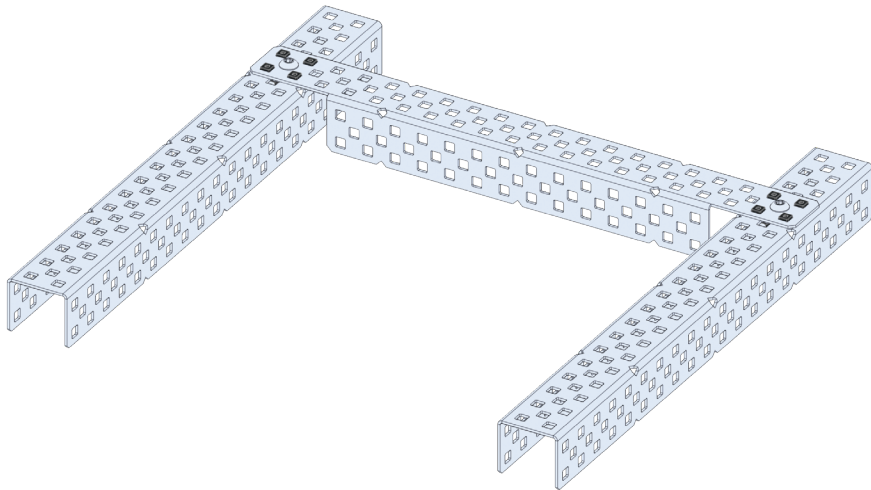
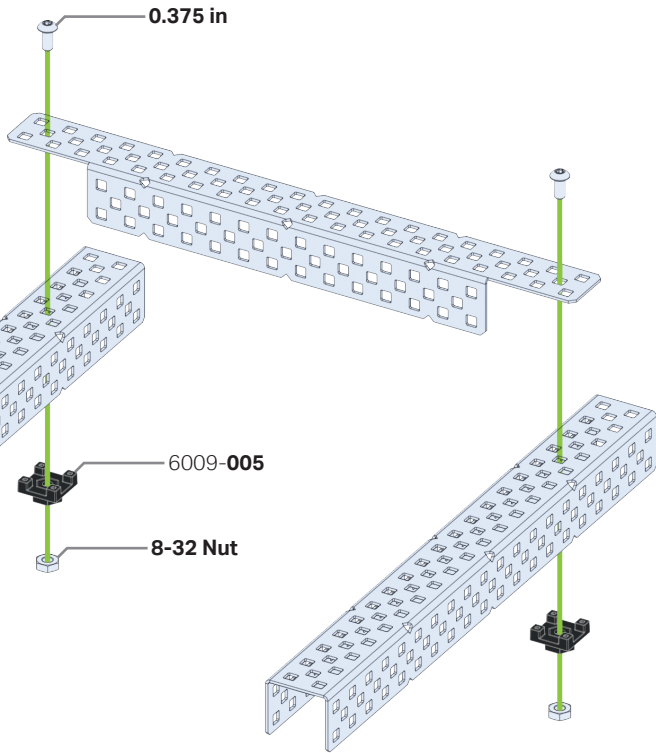
2x 0.375 in



2x 6009-005



2x 8-32 Nut



2x 0.375 in

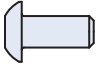


2x 6009-005



2x 8-32 Nut

3



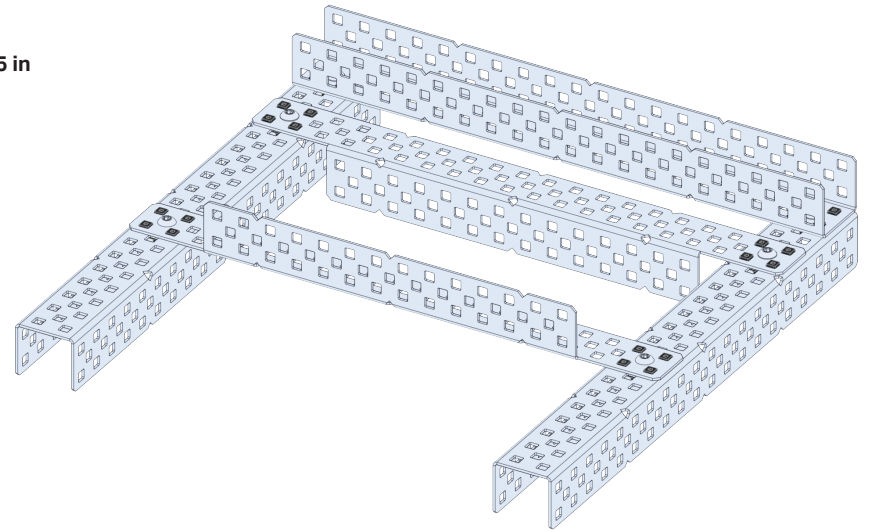
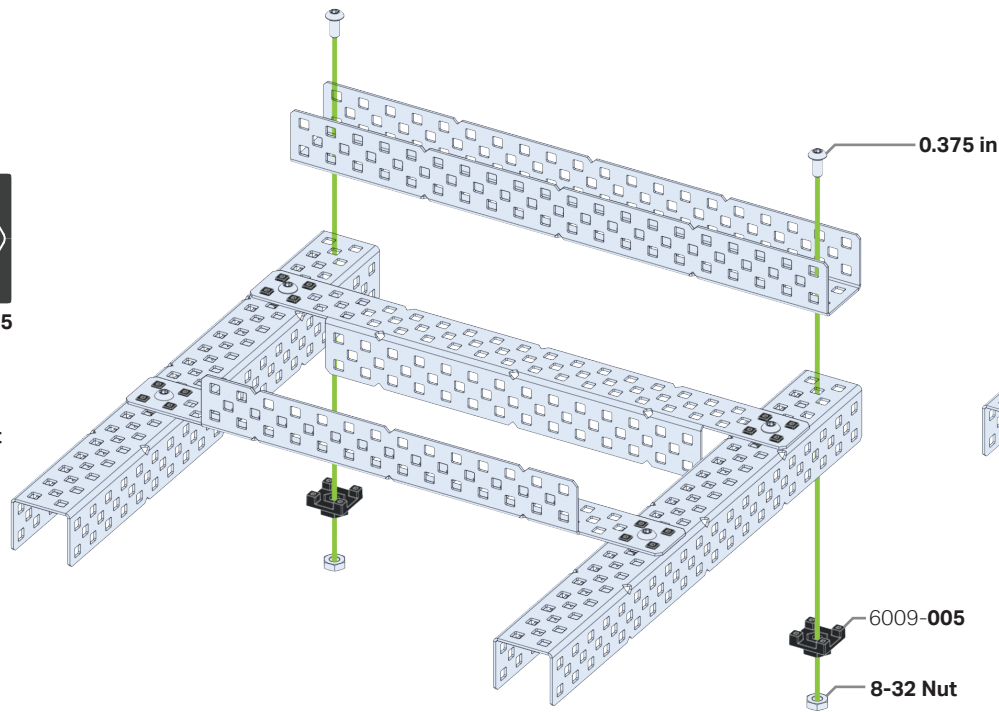
2x 0.375 in



2x 6009-005



2x 8-32 Nut



4

6009-003

8-32 Nut

0.375 in



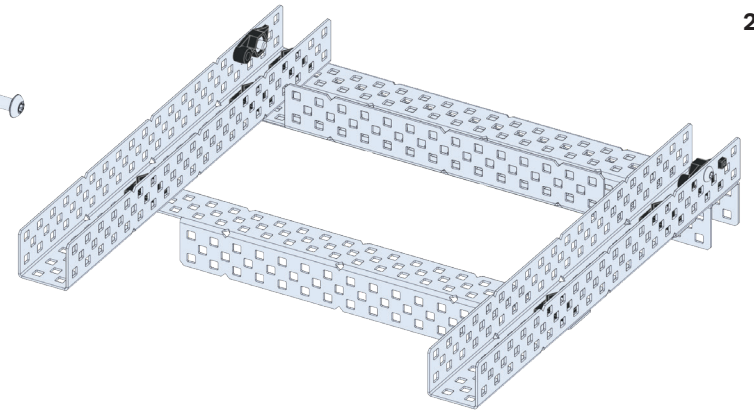
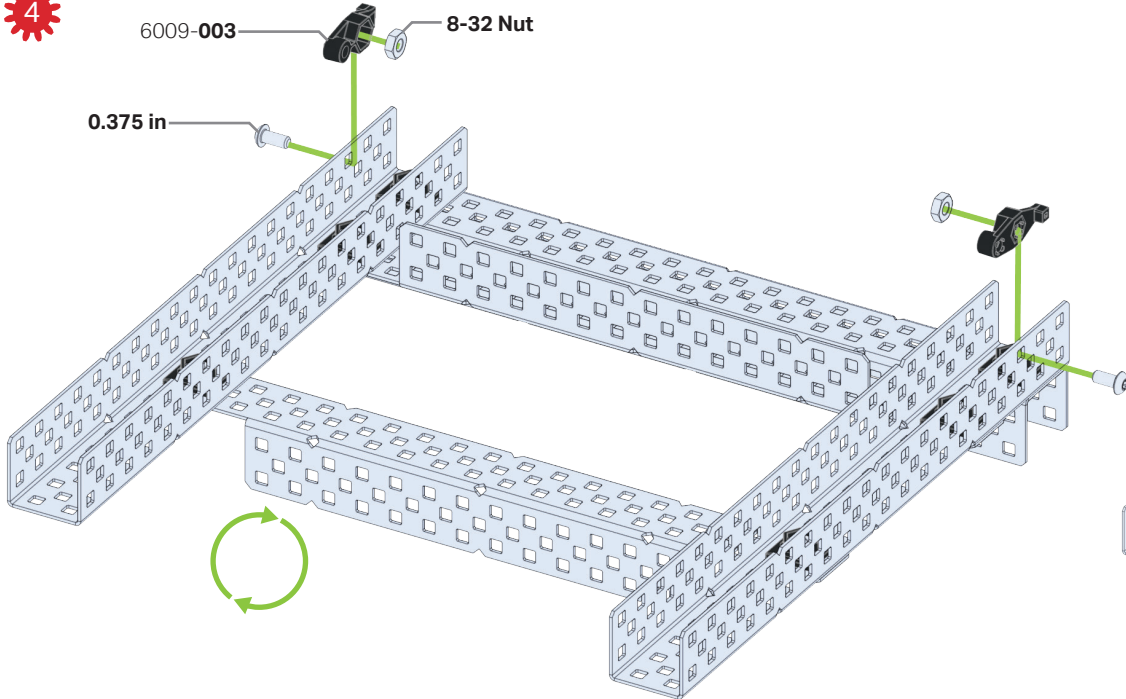
2x 0.375 in



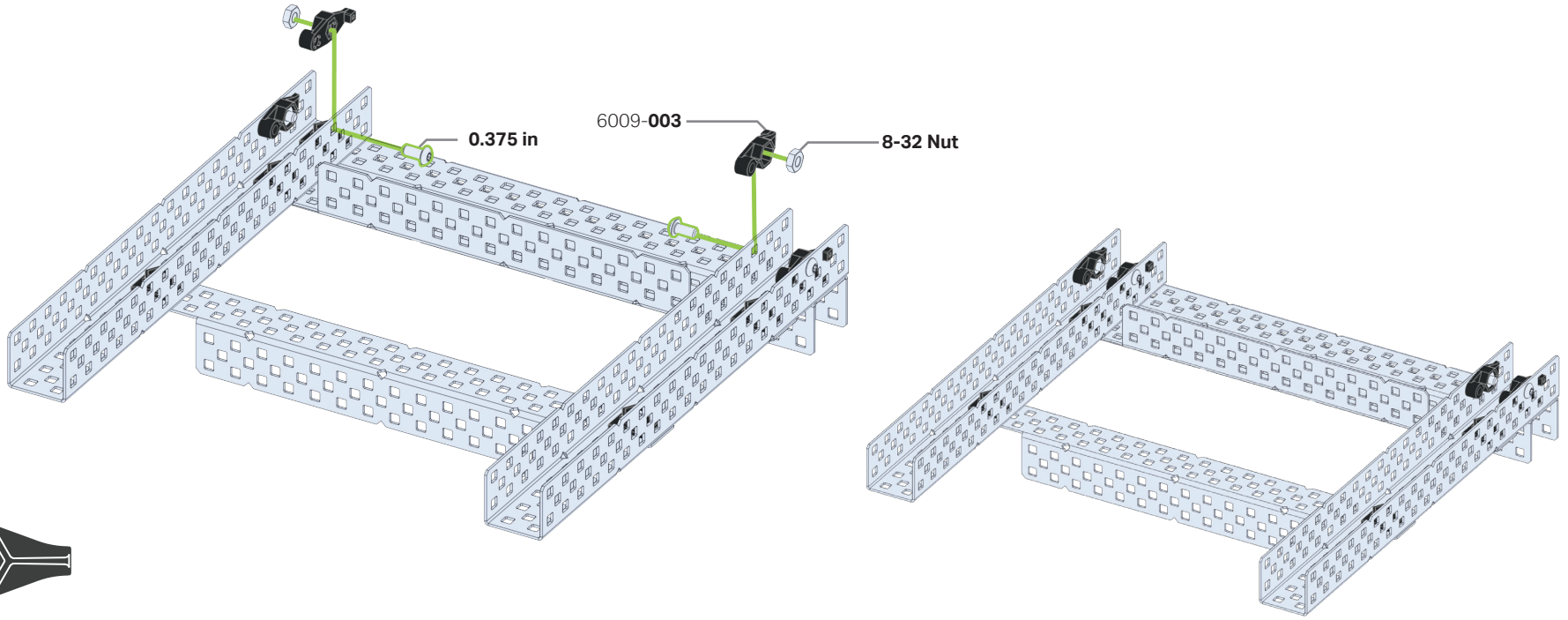
2x 6009-003



2x 8-32 Nut



5



2x 0.375 in



2x 8-32 Nut



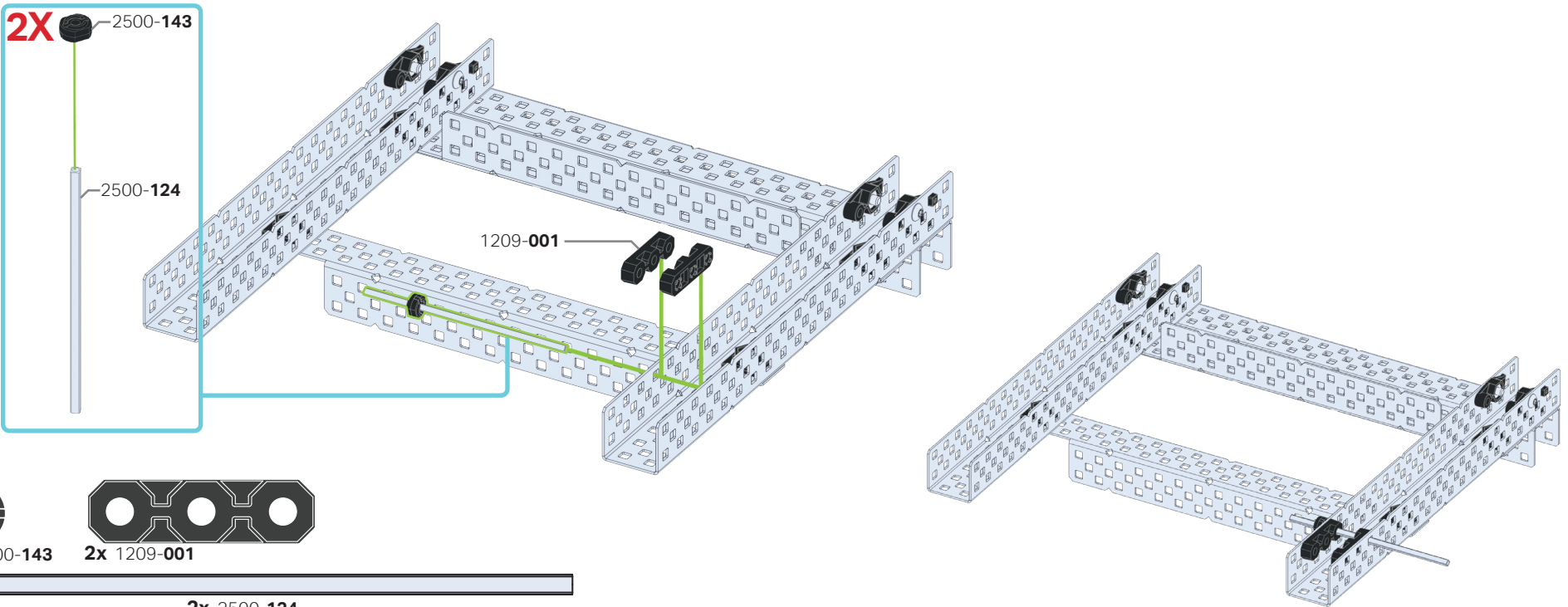
2x 6009-003

6

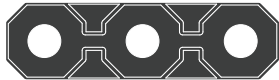
2X 2500-143

2500-124

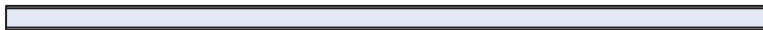
1209-001



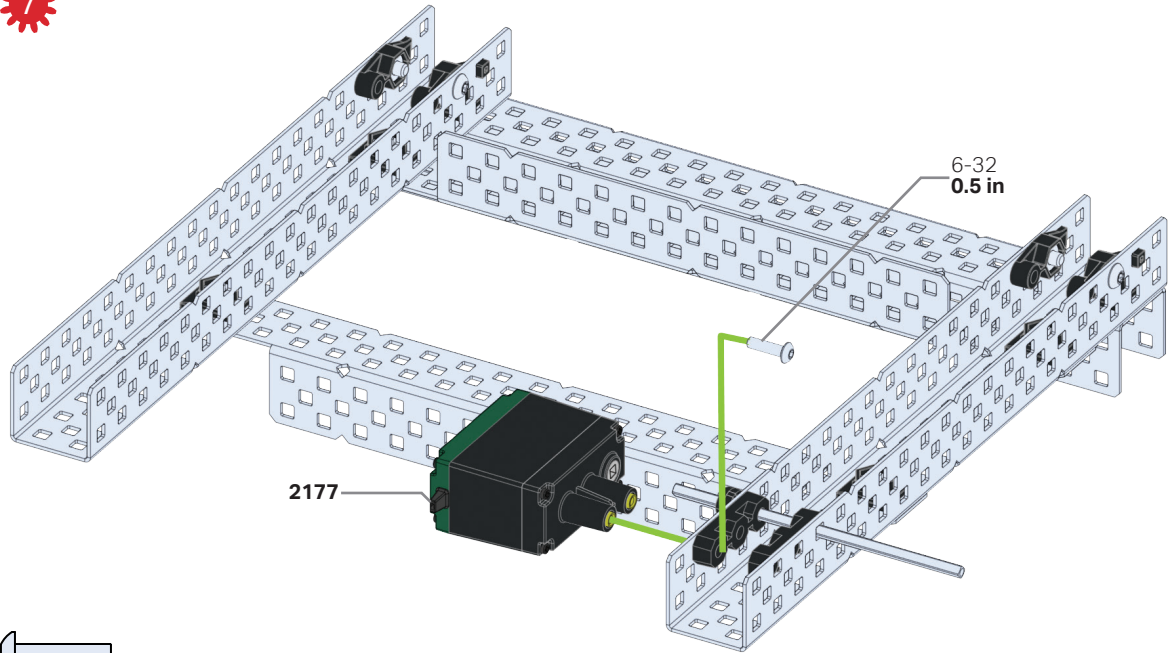
2x 2500-143



2x 1209-001



2x 2500-124

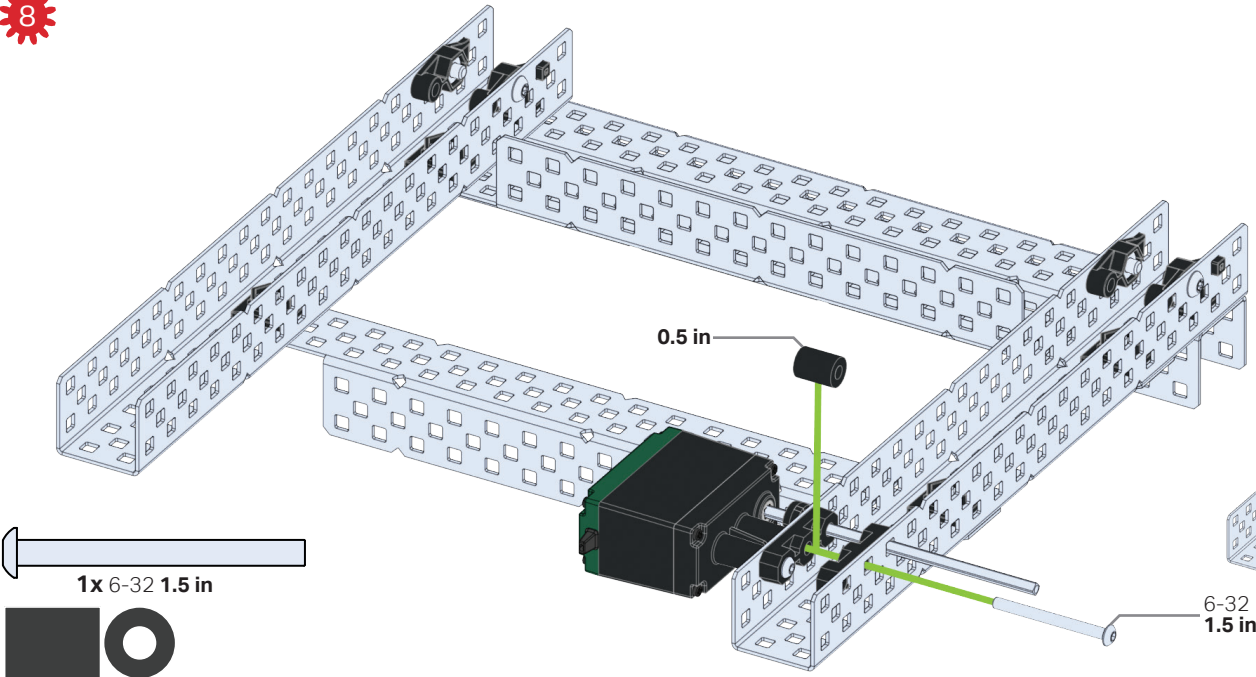
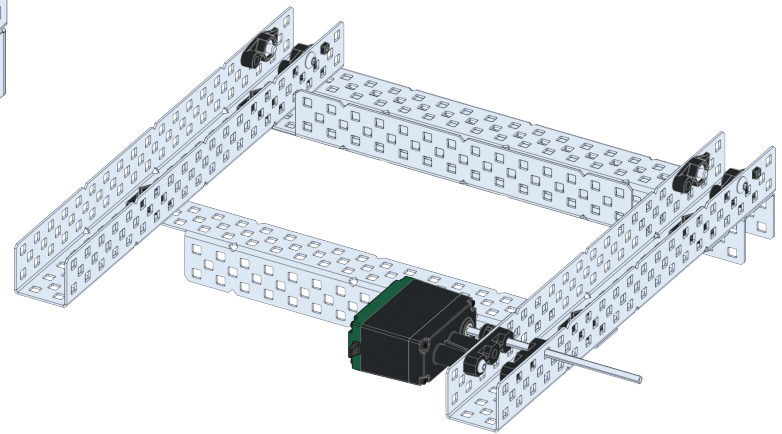


2177

6-32
0.5 in



1x 6-32 0.5in



0.5 in

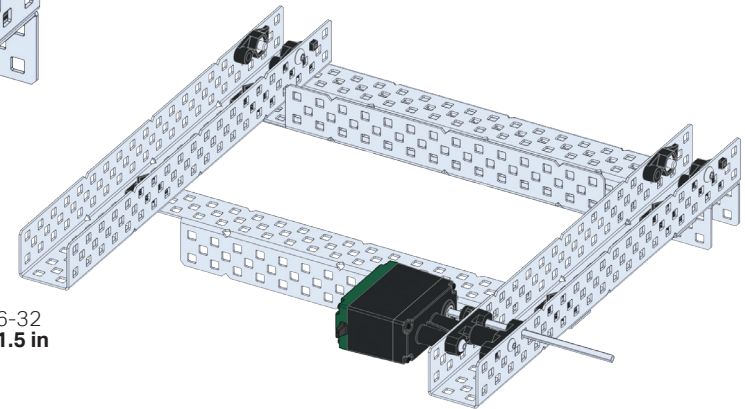
6-32
1.5 in

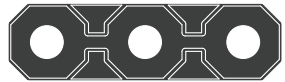
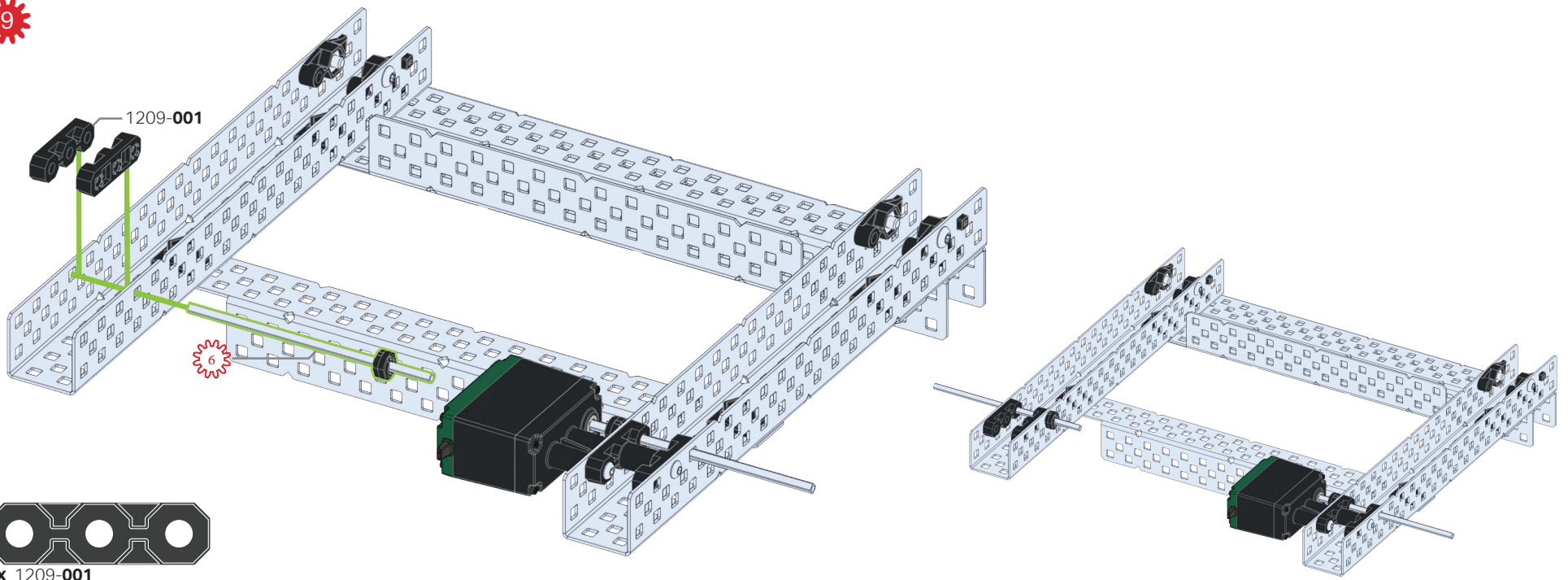


1x 6-32 1.5 in

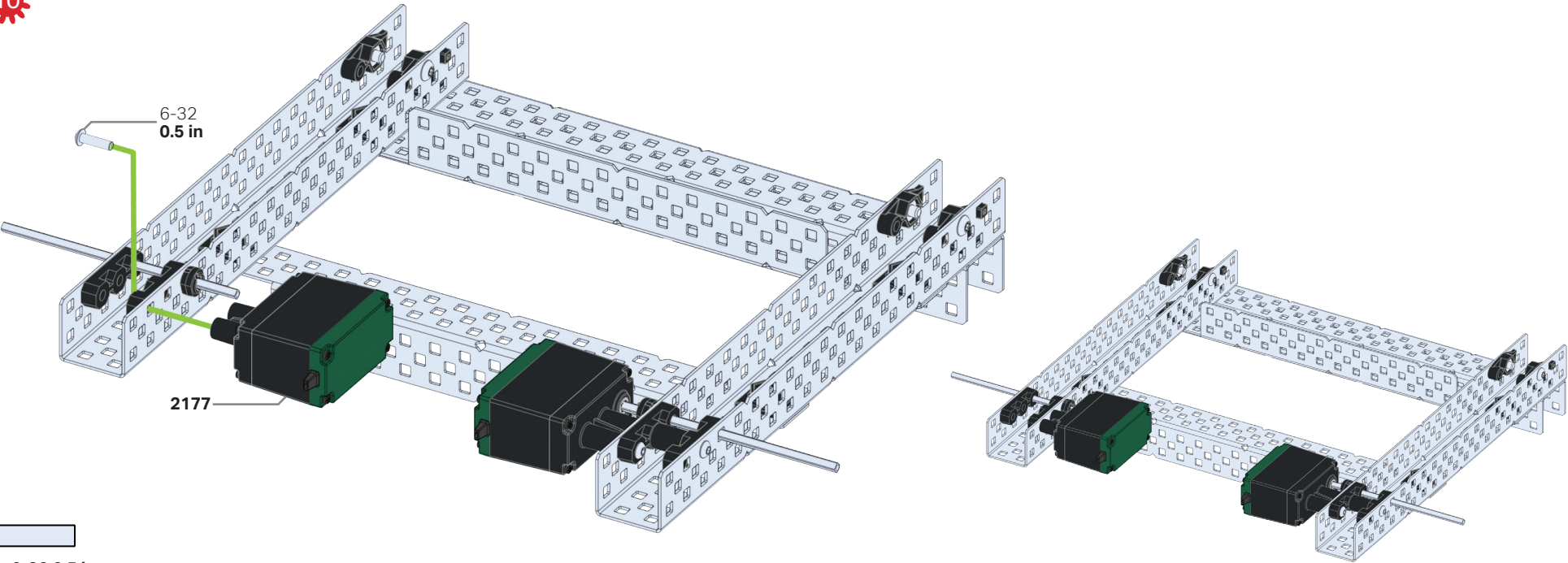


1x 0.5in

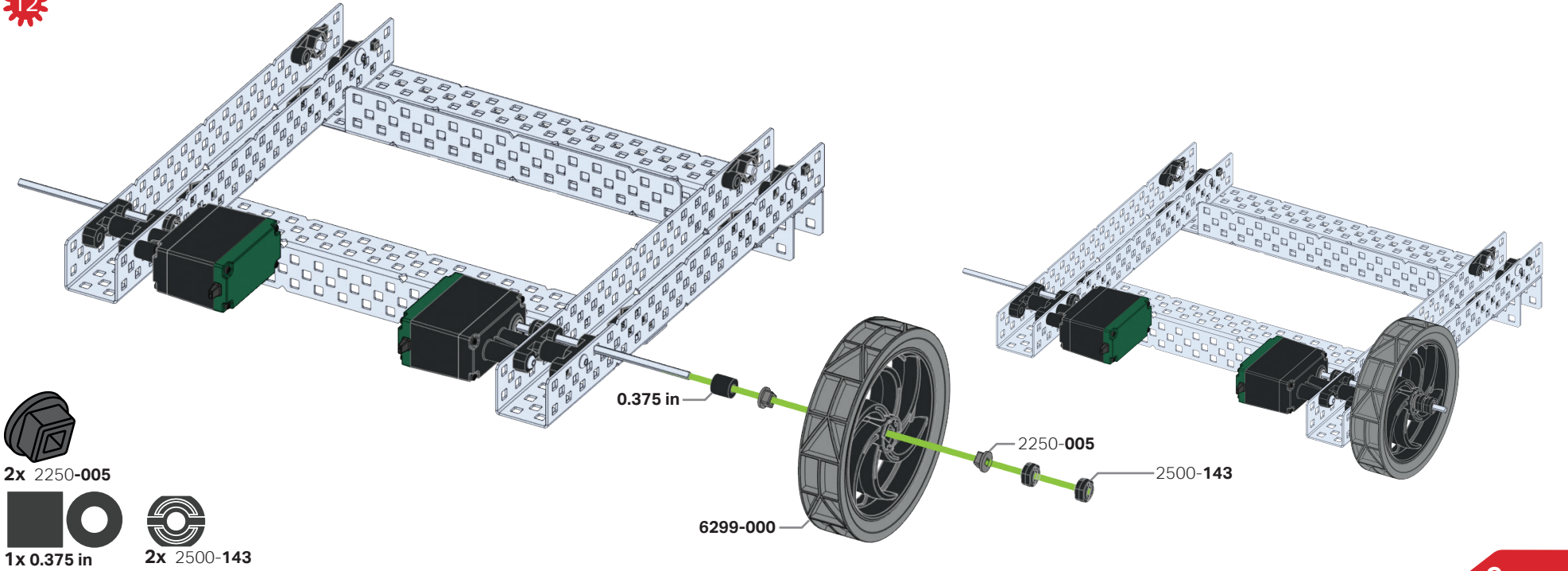
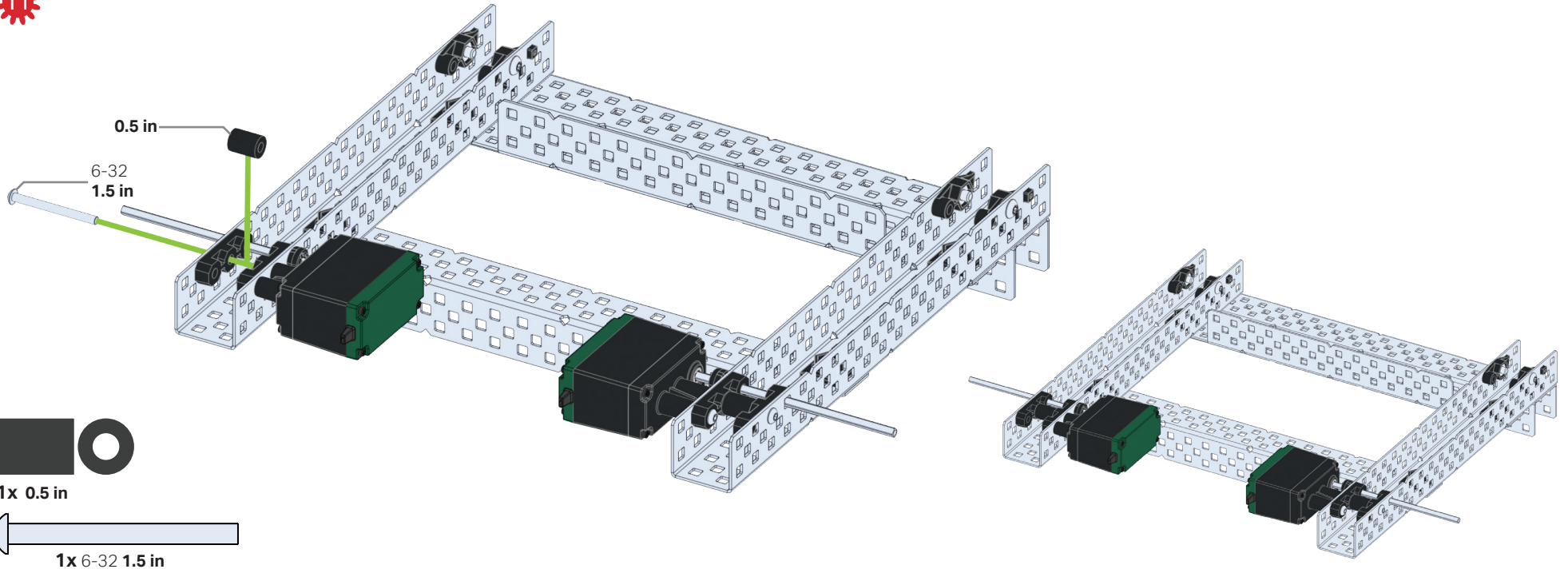


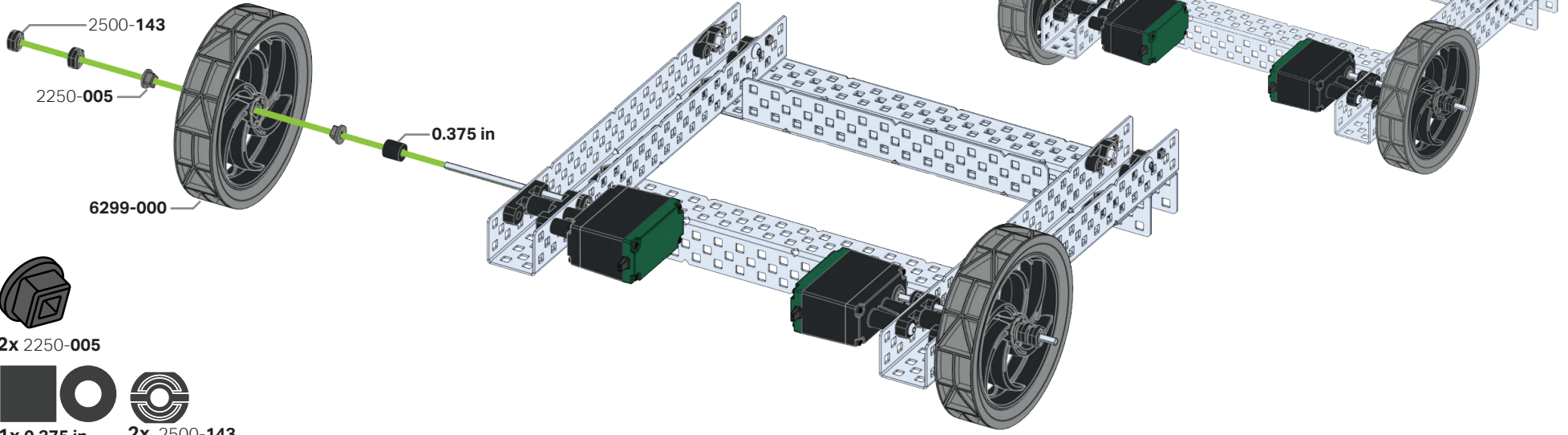


2x 1209-001



1x 6-32 0.5 in

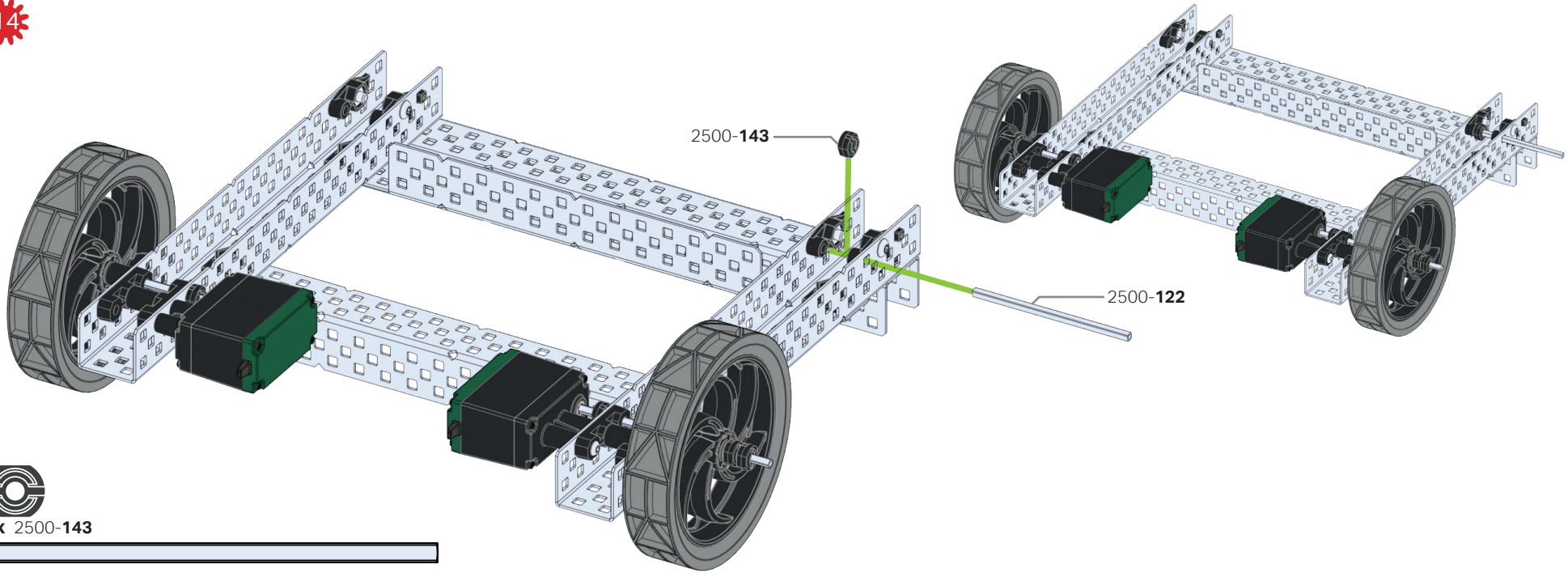




2x 2250-005



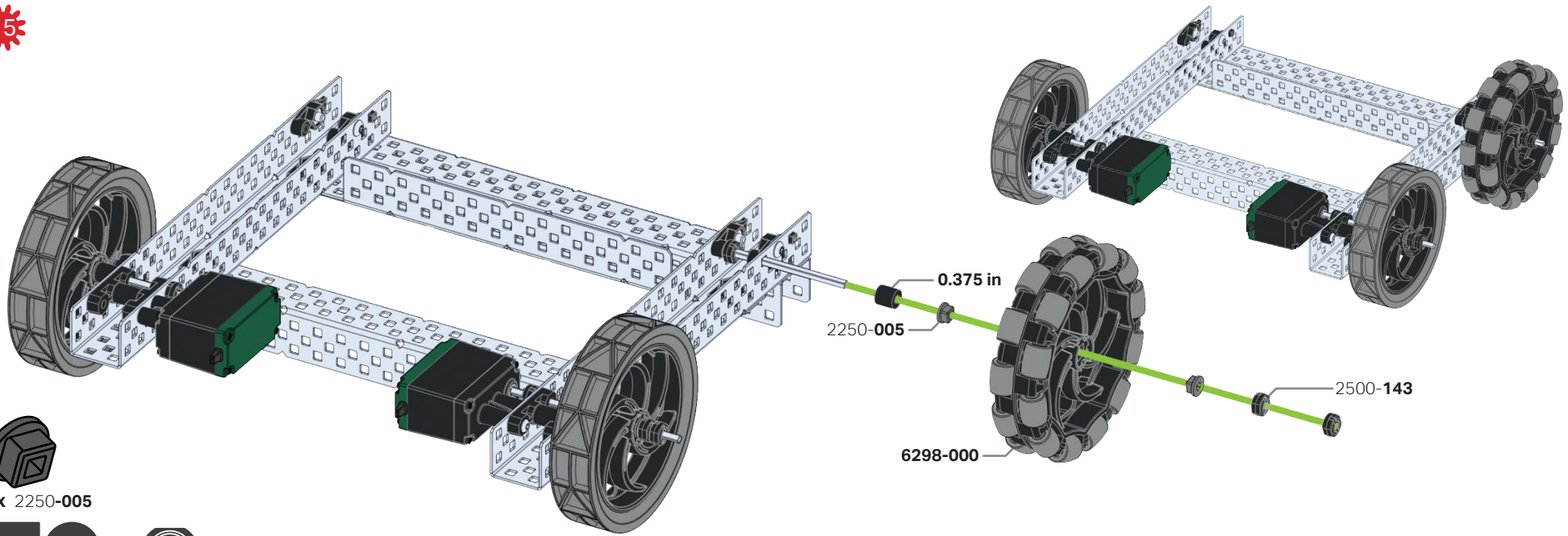
1x 0.375 in 2x 2500-143



1x 2500-143



1x 2500-122



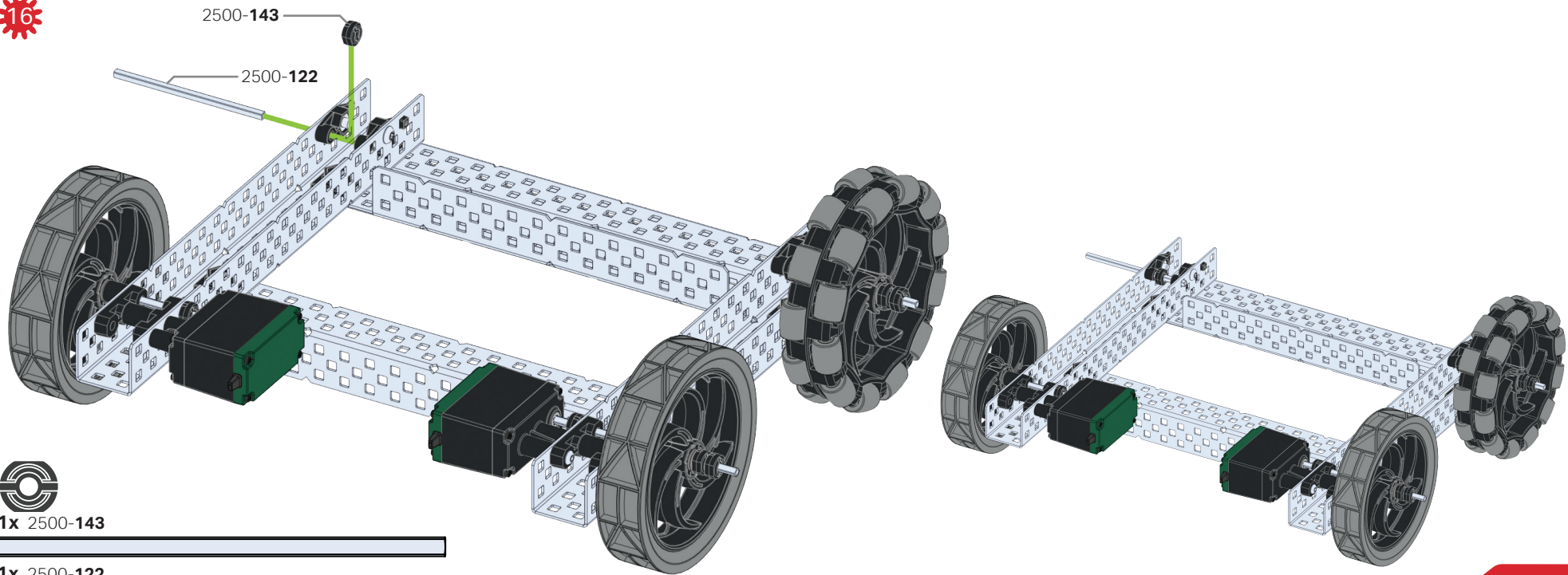
2x 2250-005



1x 0.375 in



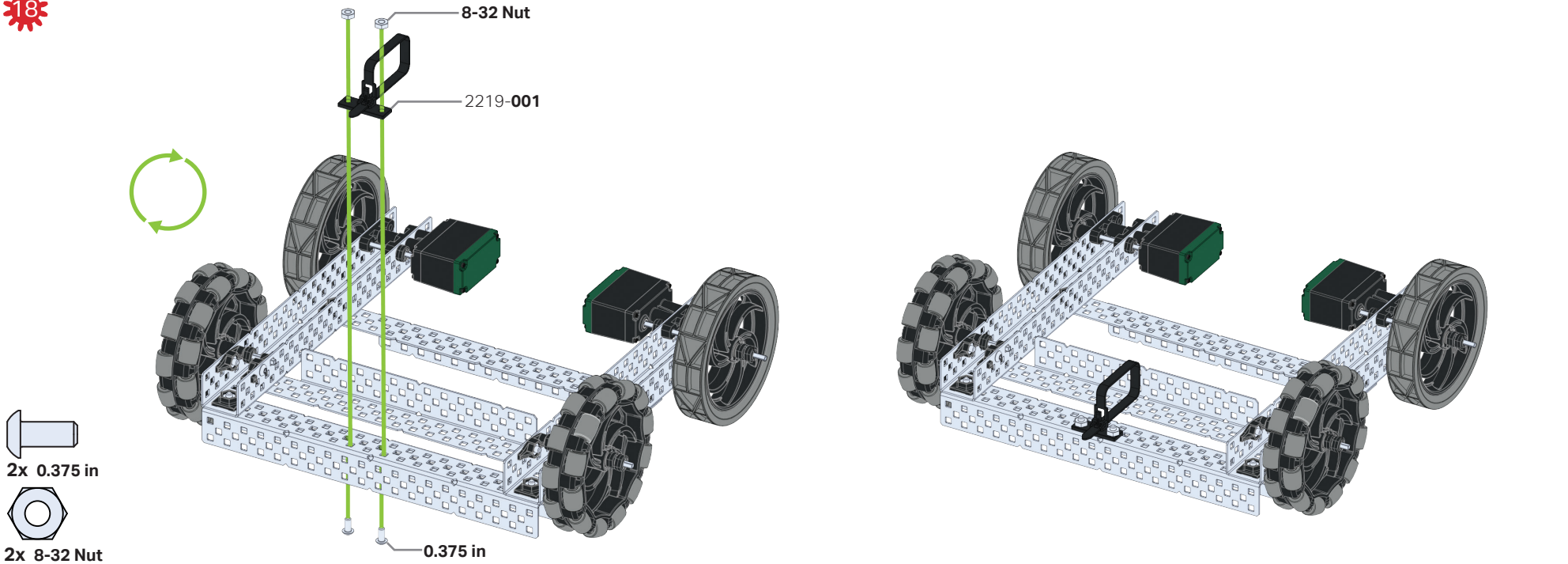
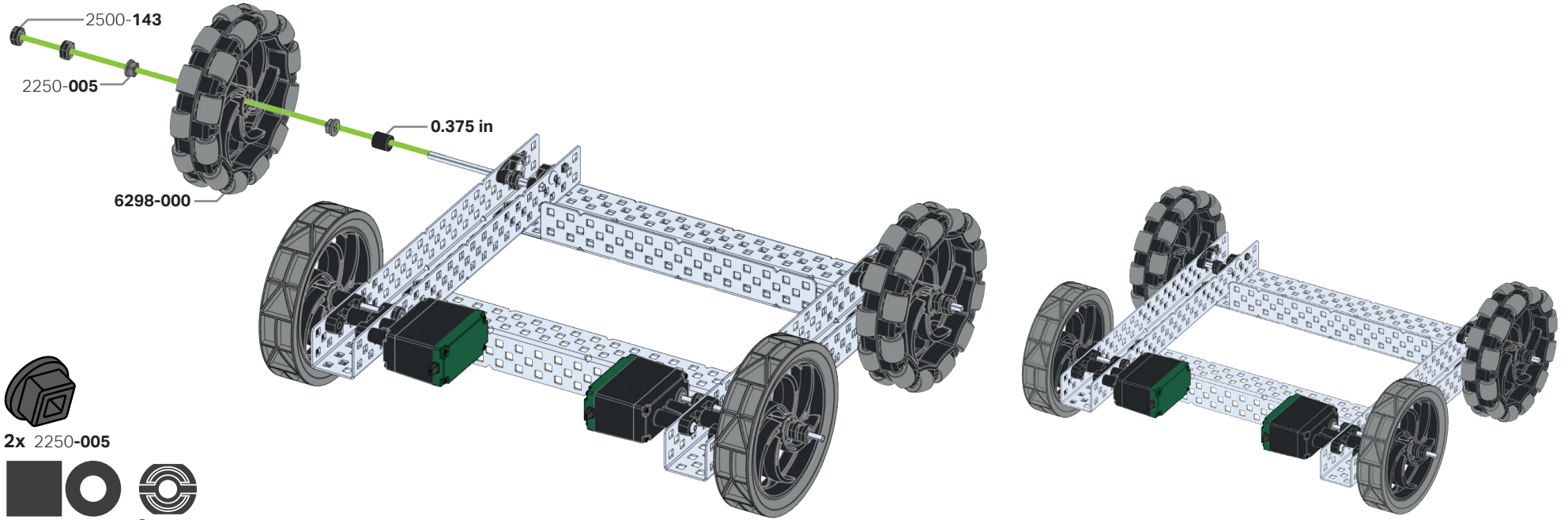
2x 2500-143

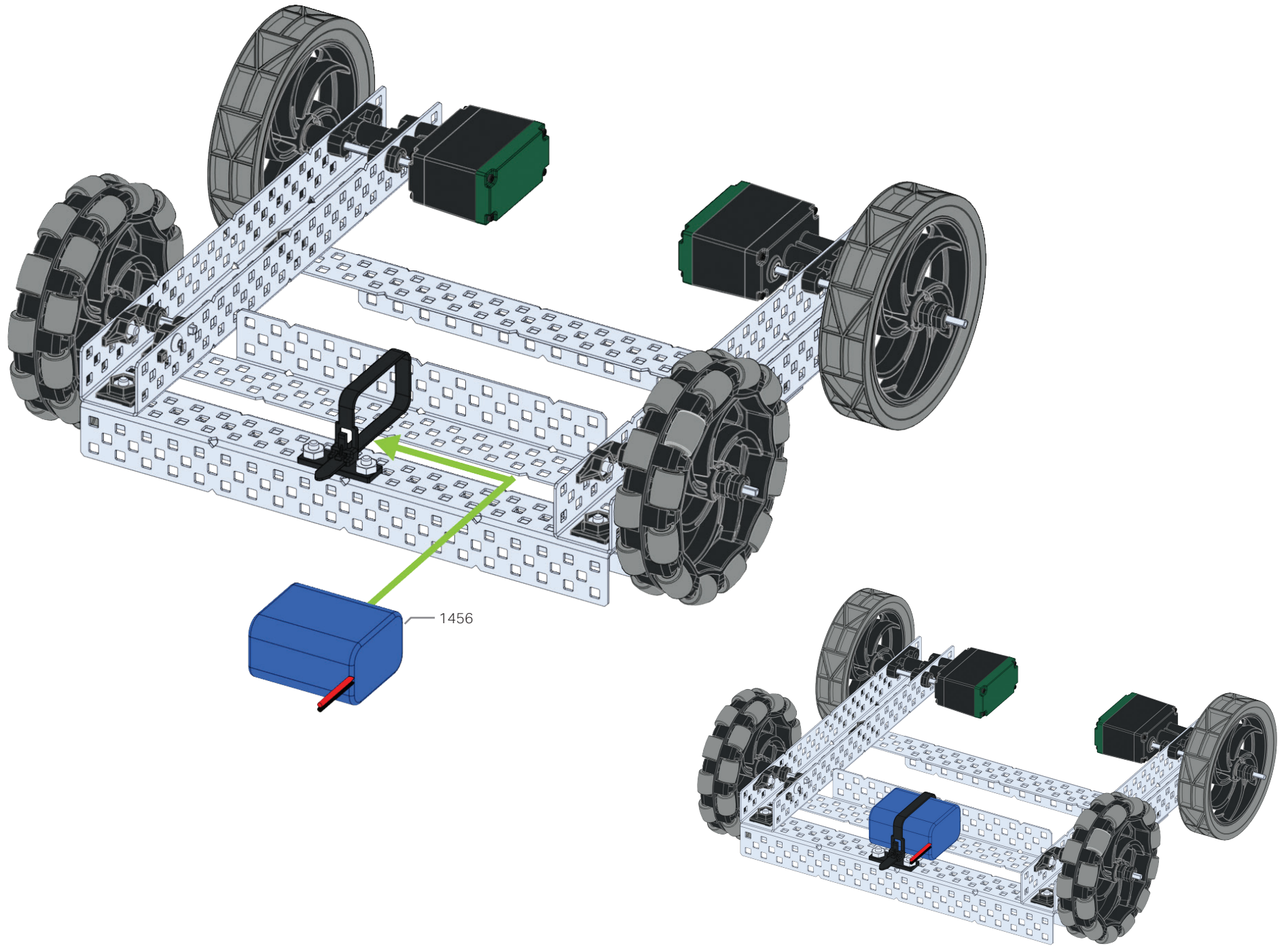


1x 2500-143



1x 2500-122



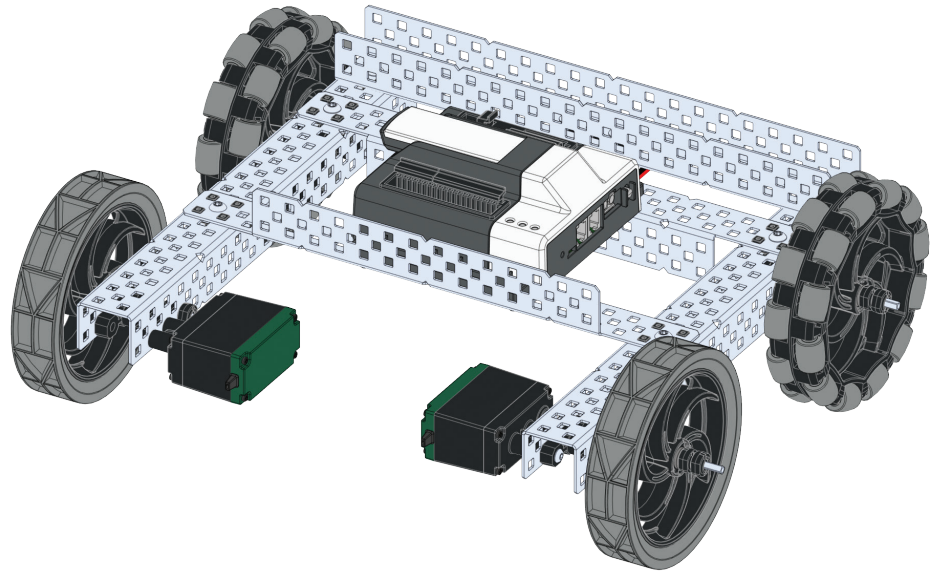
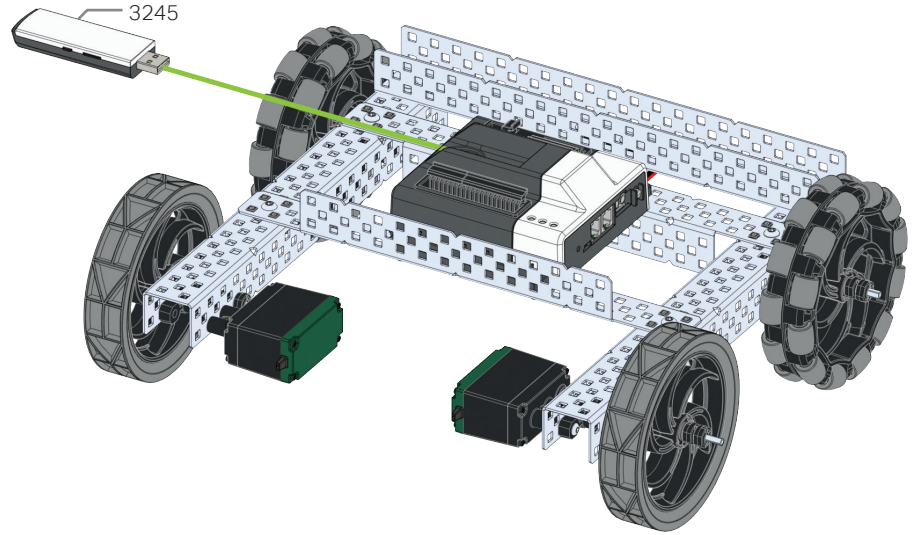
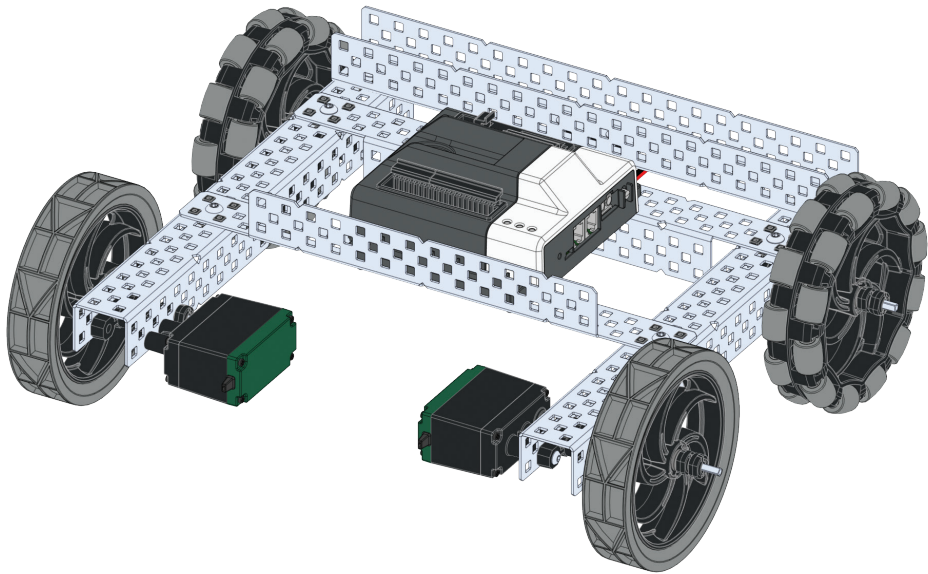
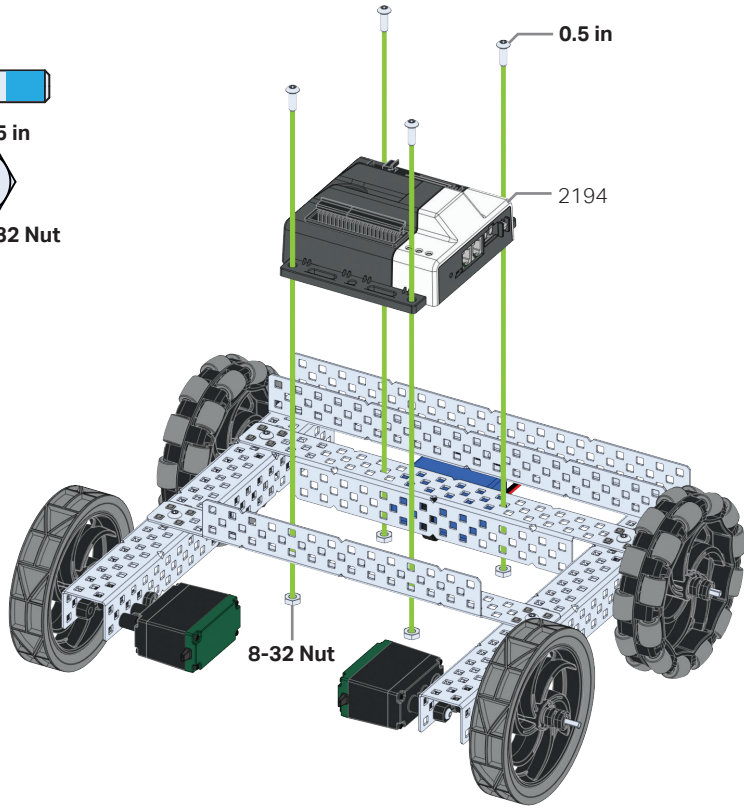


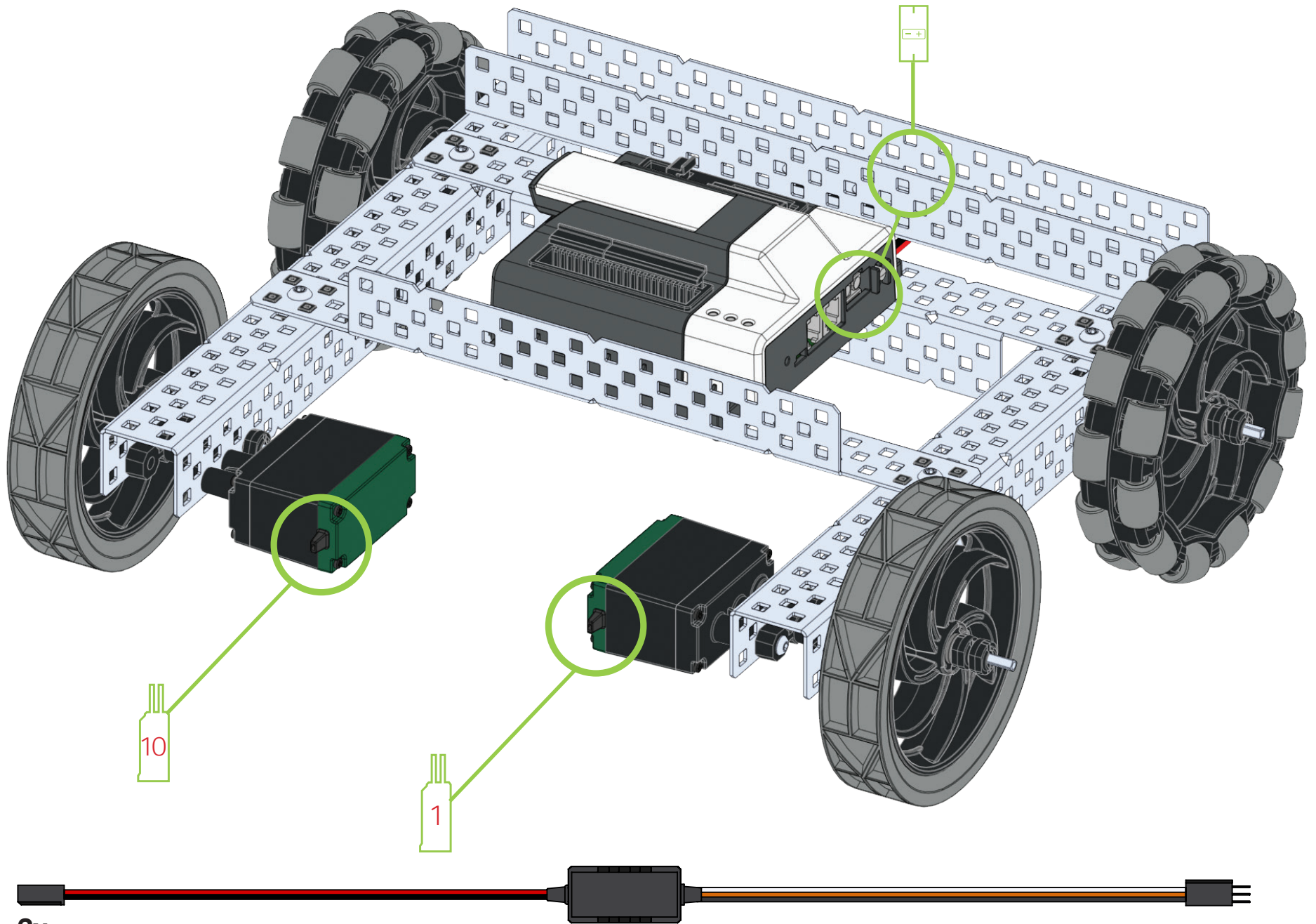


4x 0.5 in

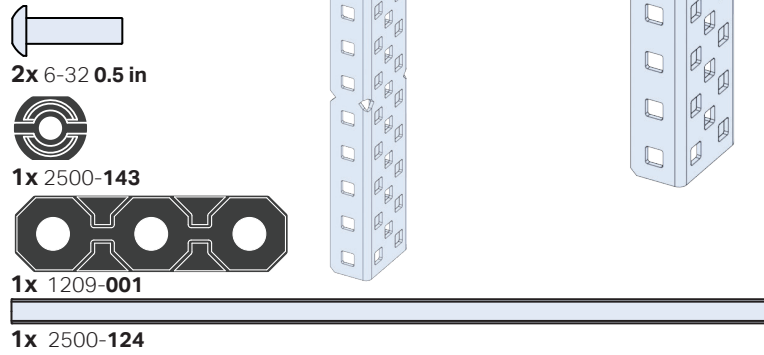
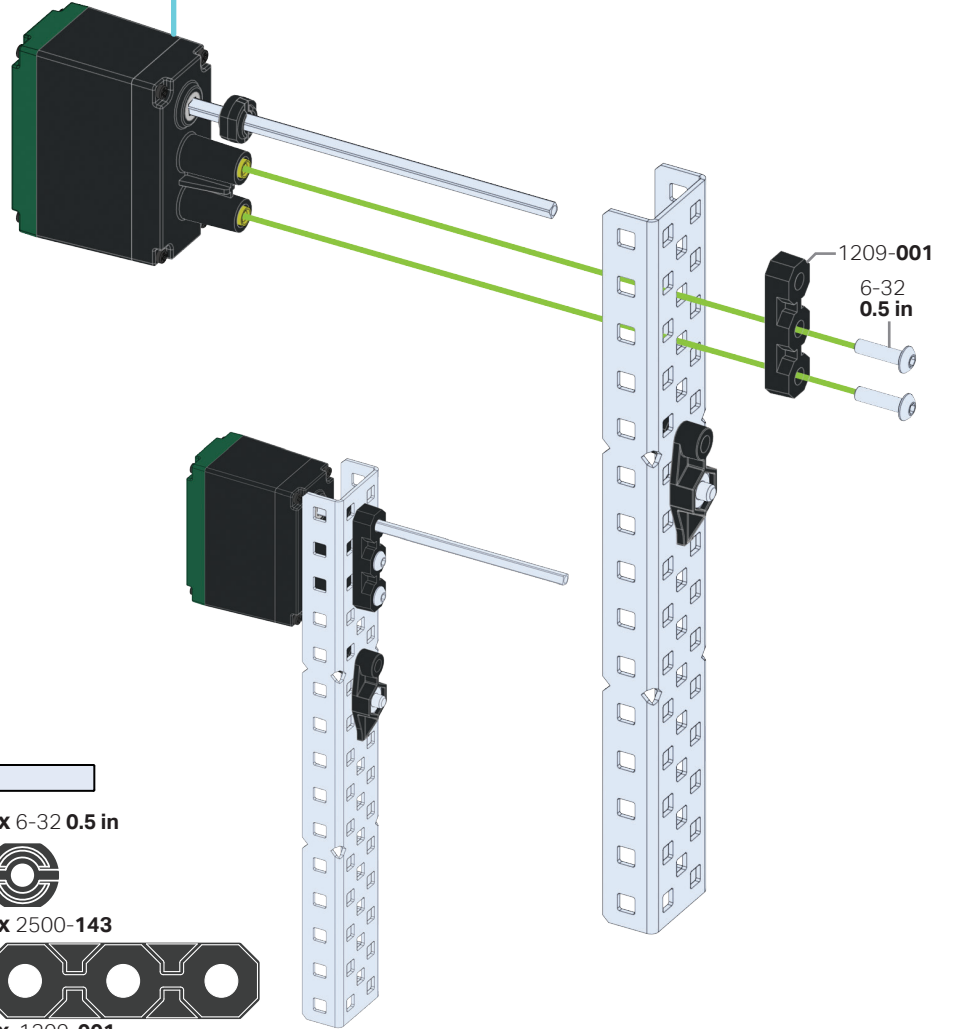
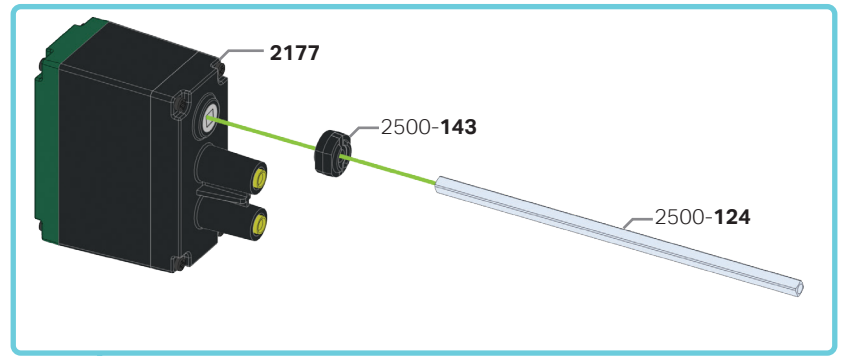
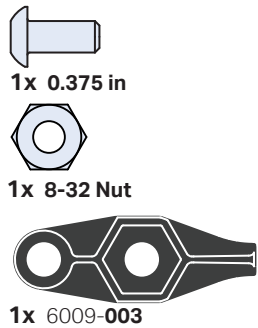
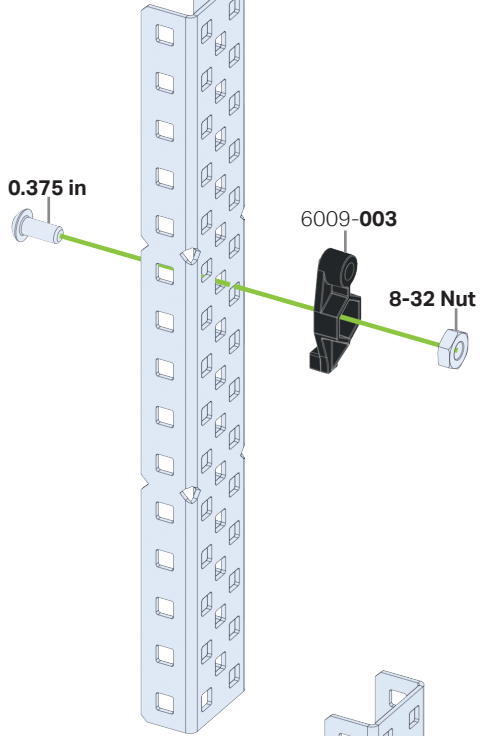
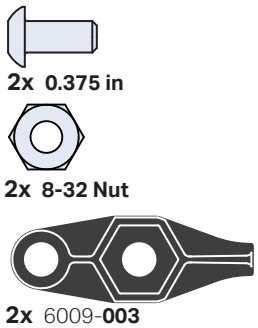
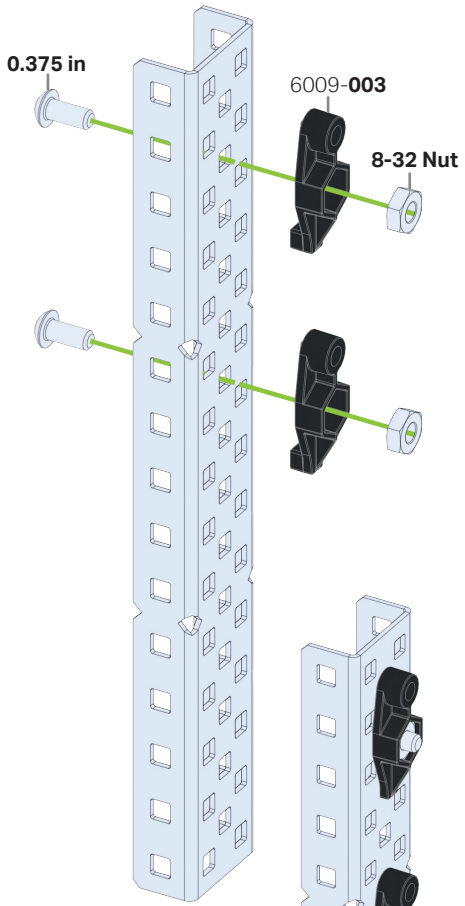


4x 8-32 Nut

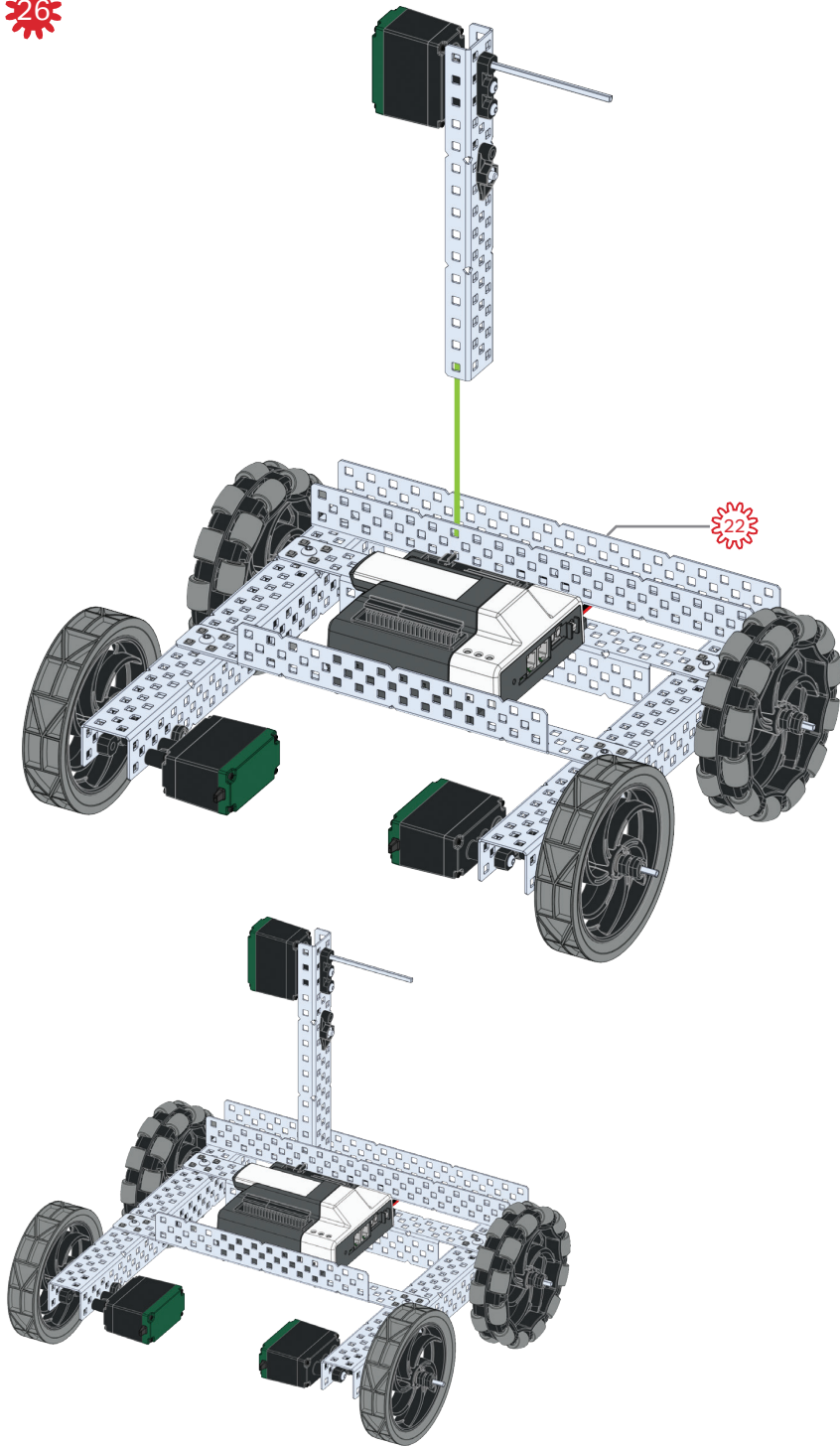




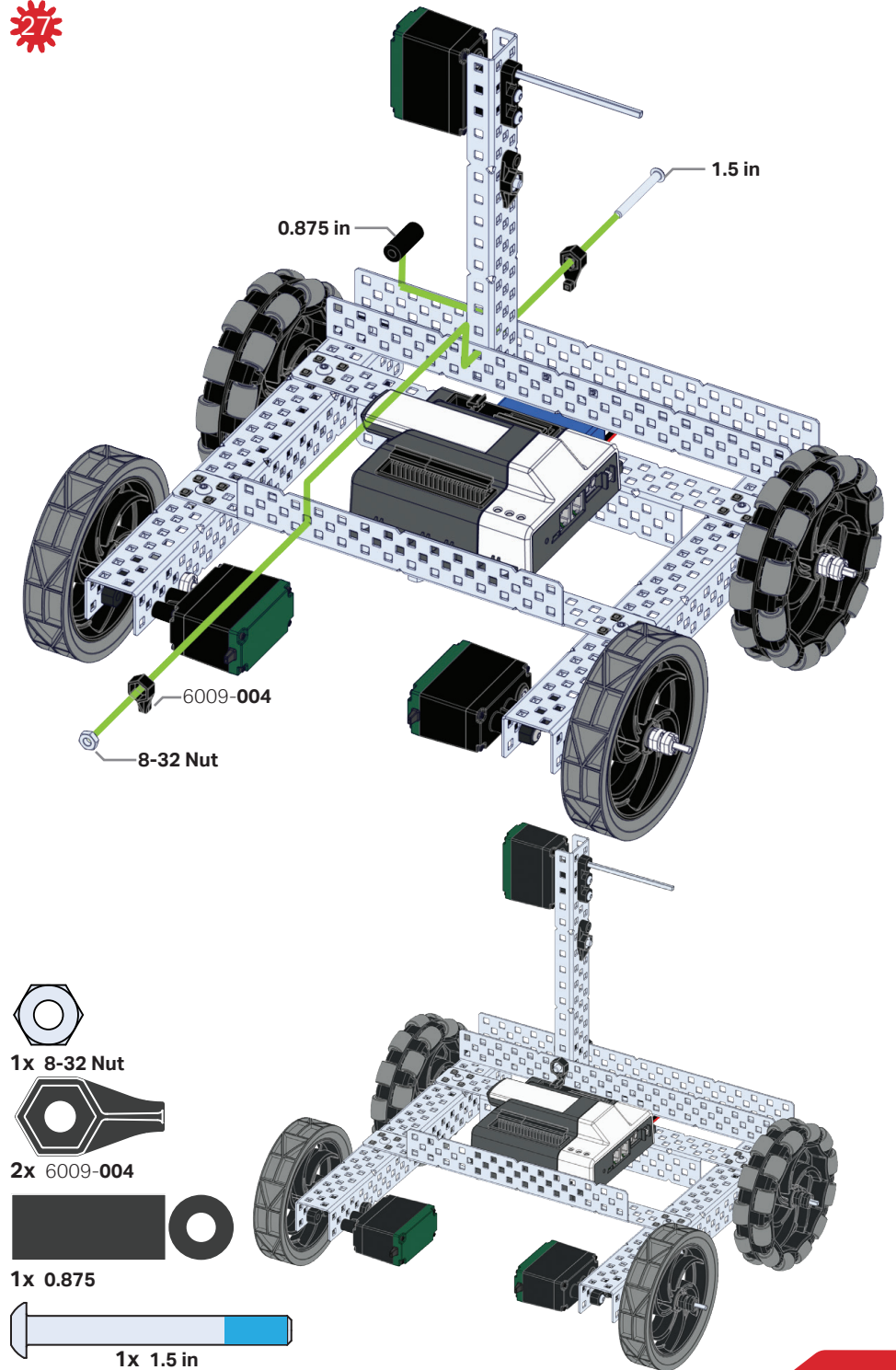
2x 276-2193



26



27



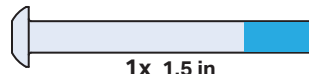
1x 8-32 Nut



2x 6009-004

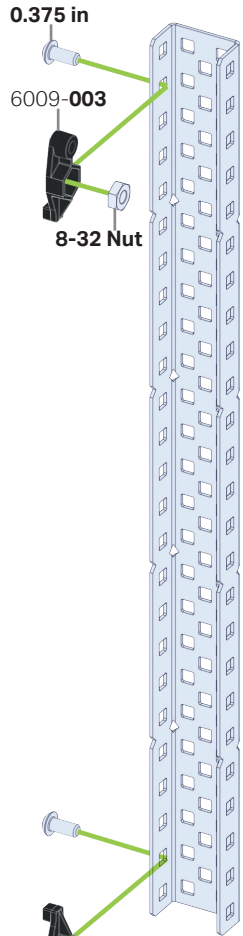


1x 0.875

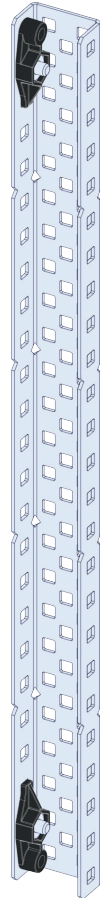


1x 1.5 in

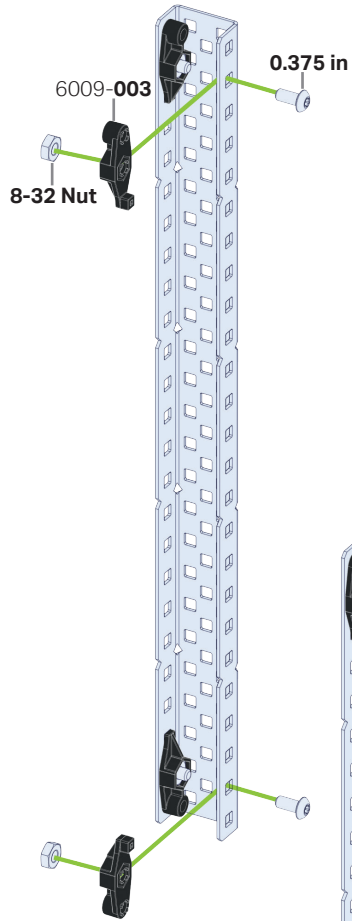
28 2X



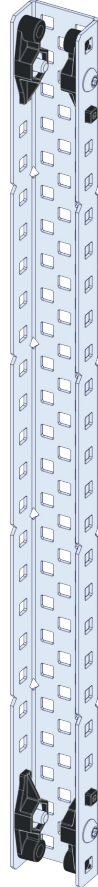
- 4x 0.375 in
- 4x 8-32 Nut
- 4x 6009-003



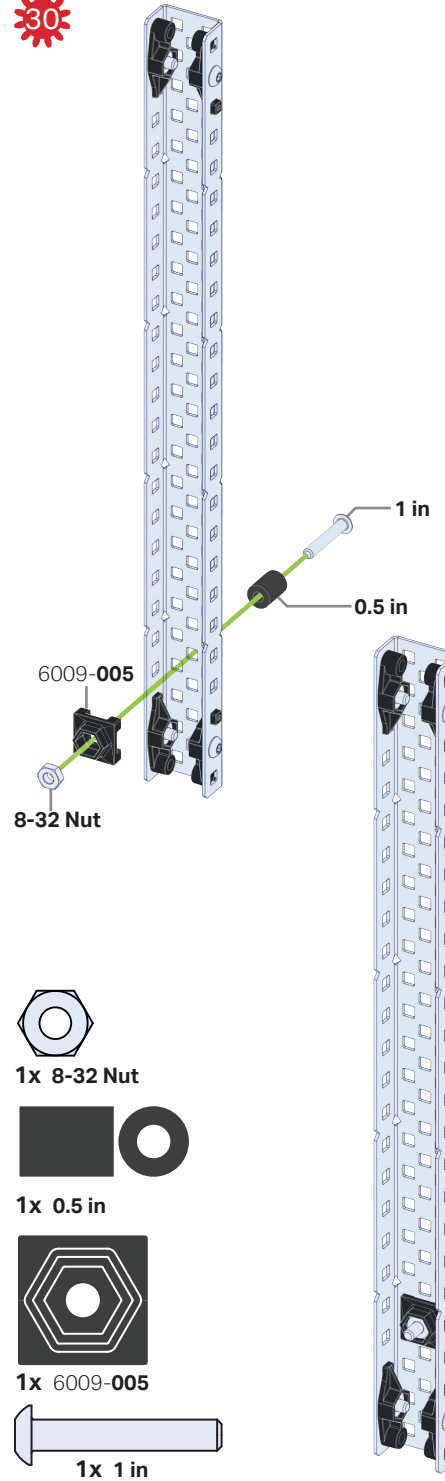
29 2X



- 4x 0.375 in
- 4x 8-32 Nut
- 4x 6009-003



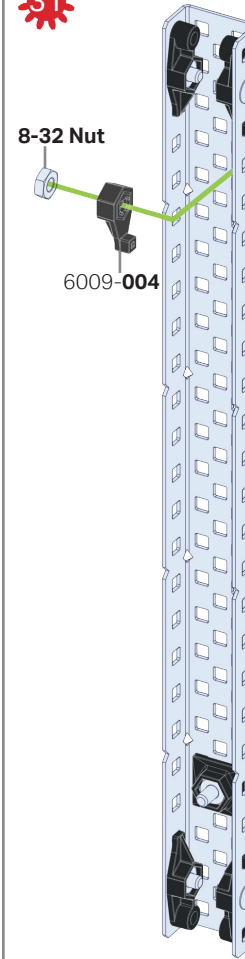
30



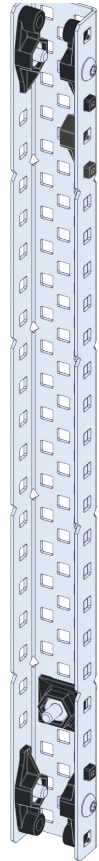
- 1x 8-32 Nut
- 1x 0.5 in
- 1x 6009-005
- 1x 1 in

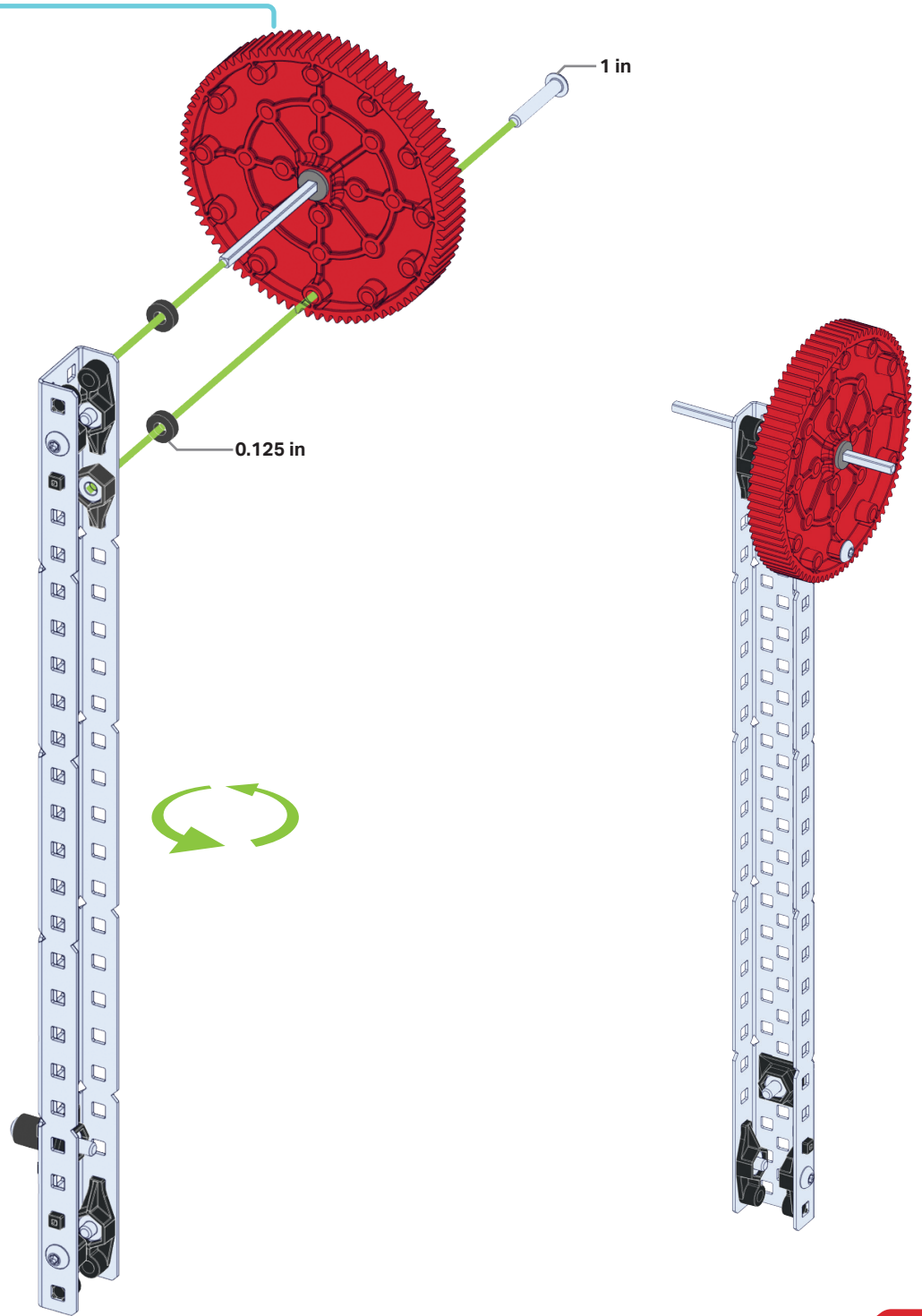
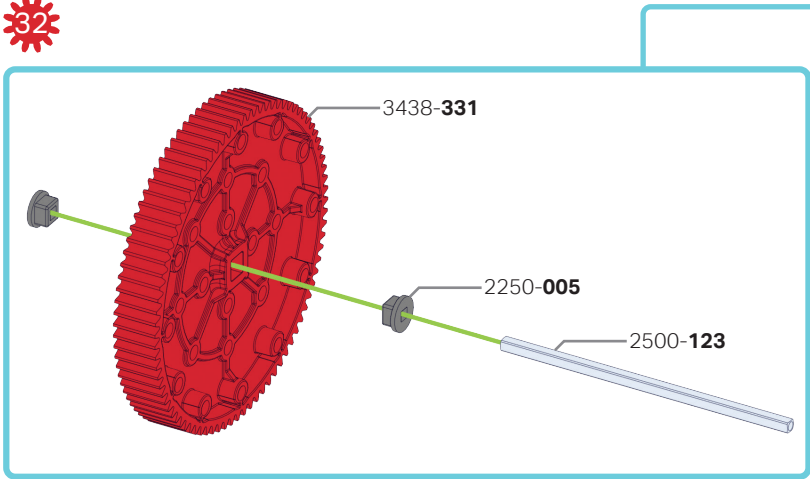


31



- 1x 8-32 Nut
- 1x 6009-004





10

2x 0.125 in



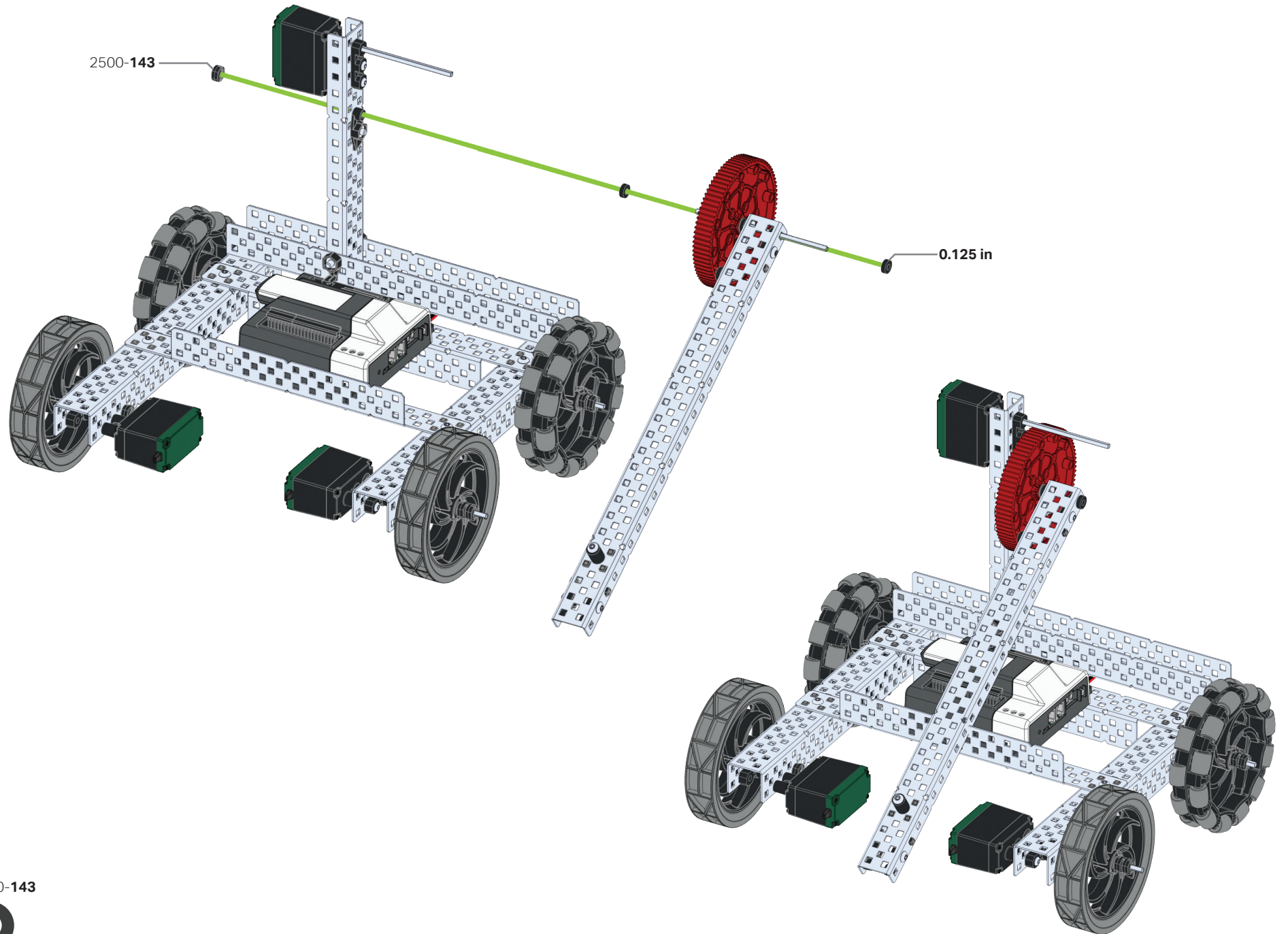
2x 2250-005



1x 1 in



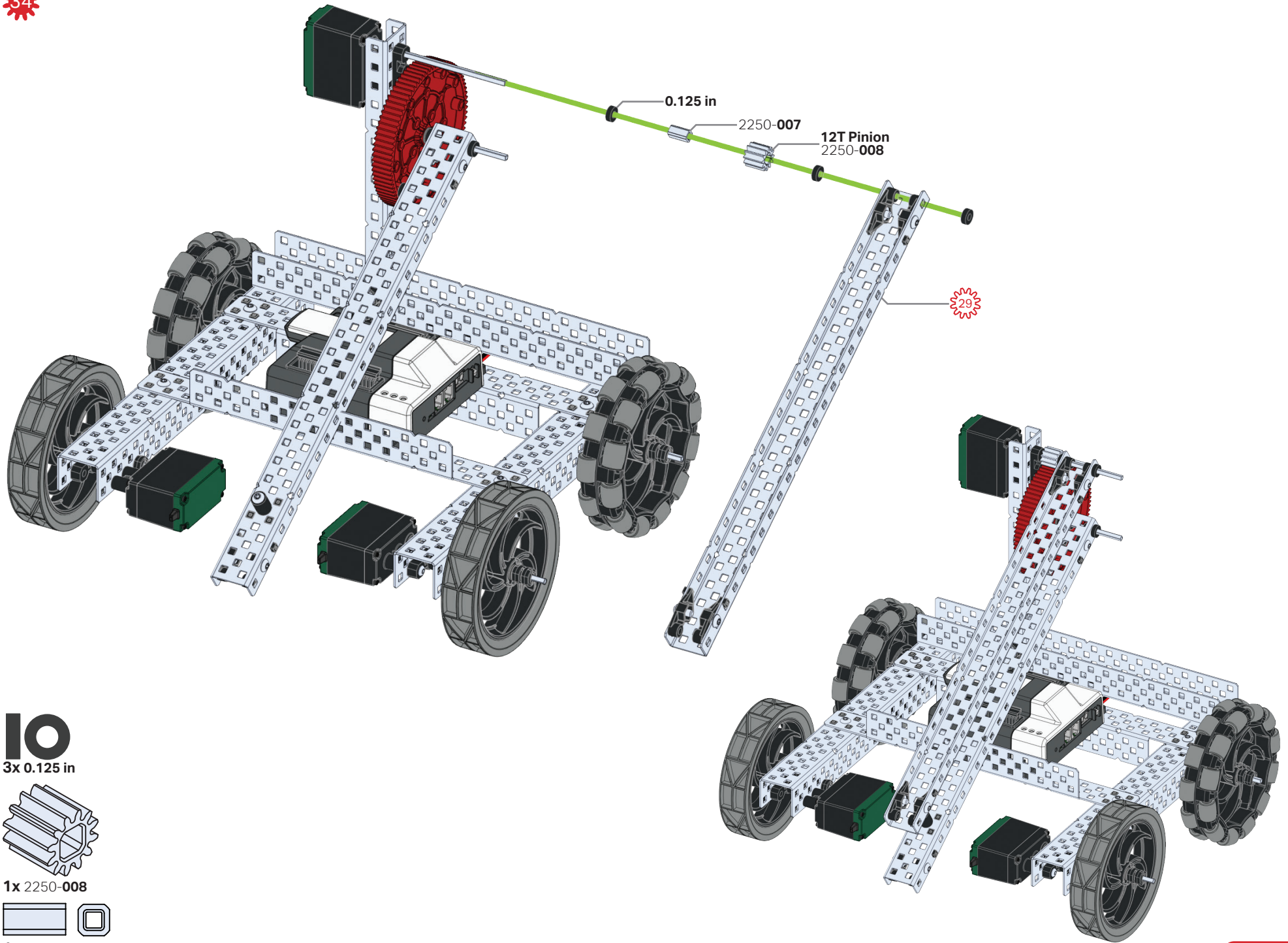
1x 2500-123



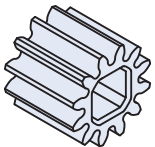
1x 2500-143

10

2x 0.125 in



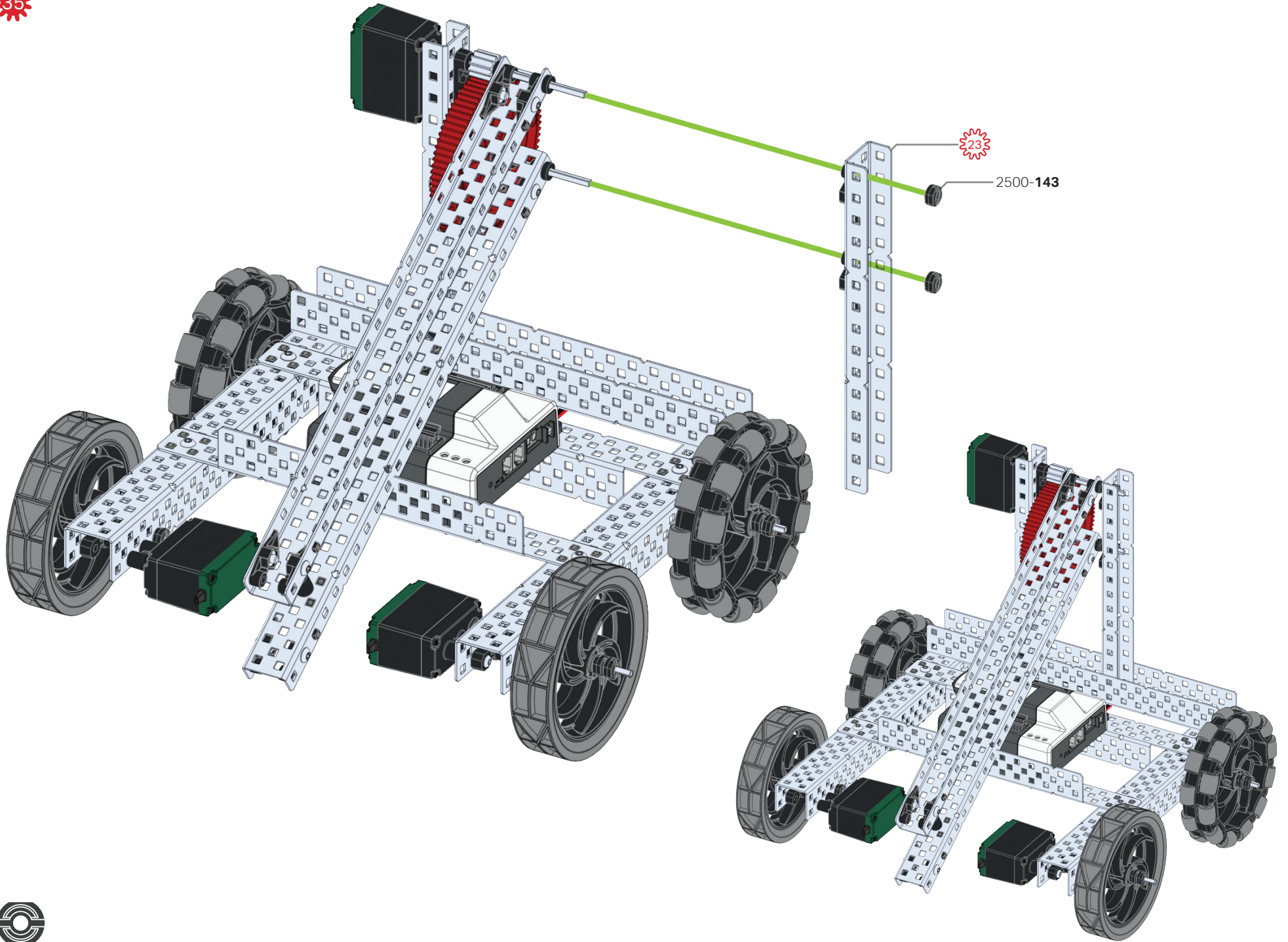
10
3x 0.125 in



1x 2250-008



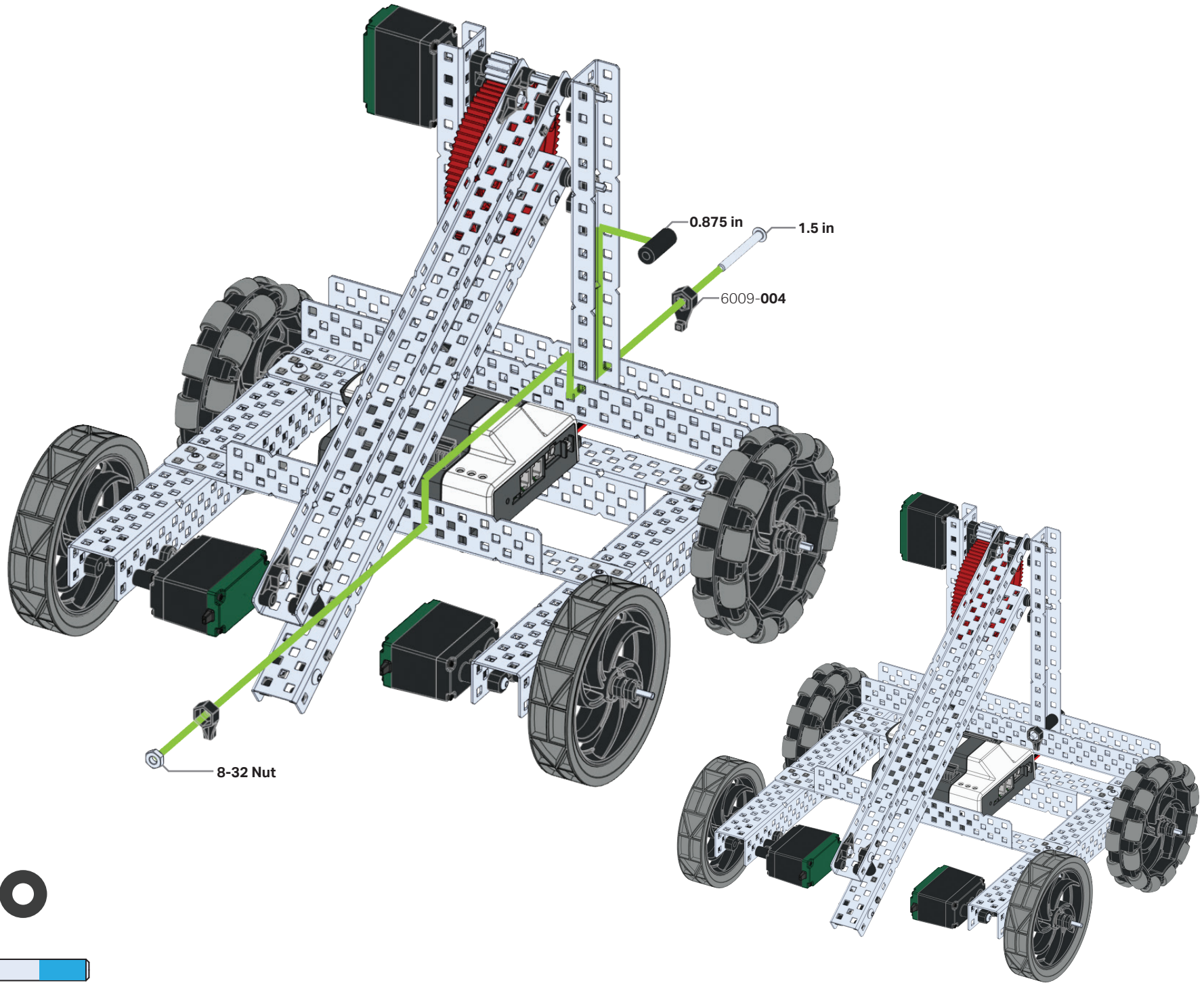
1x 2250-007



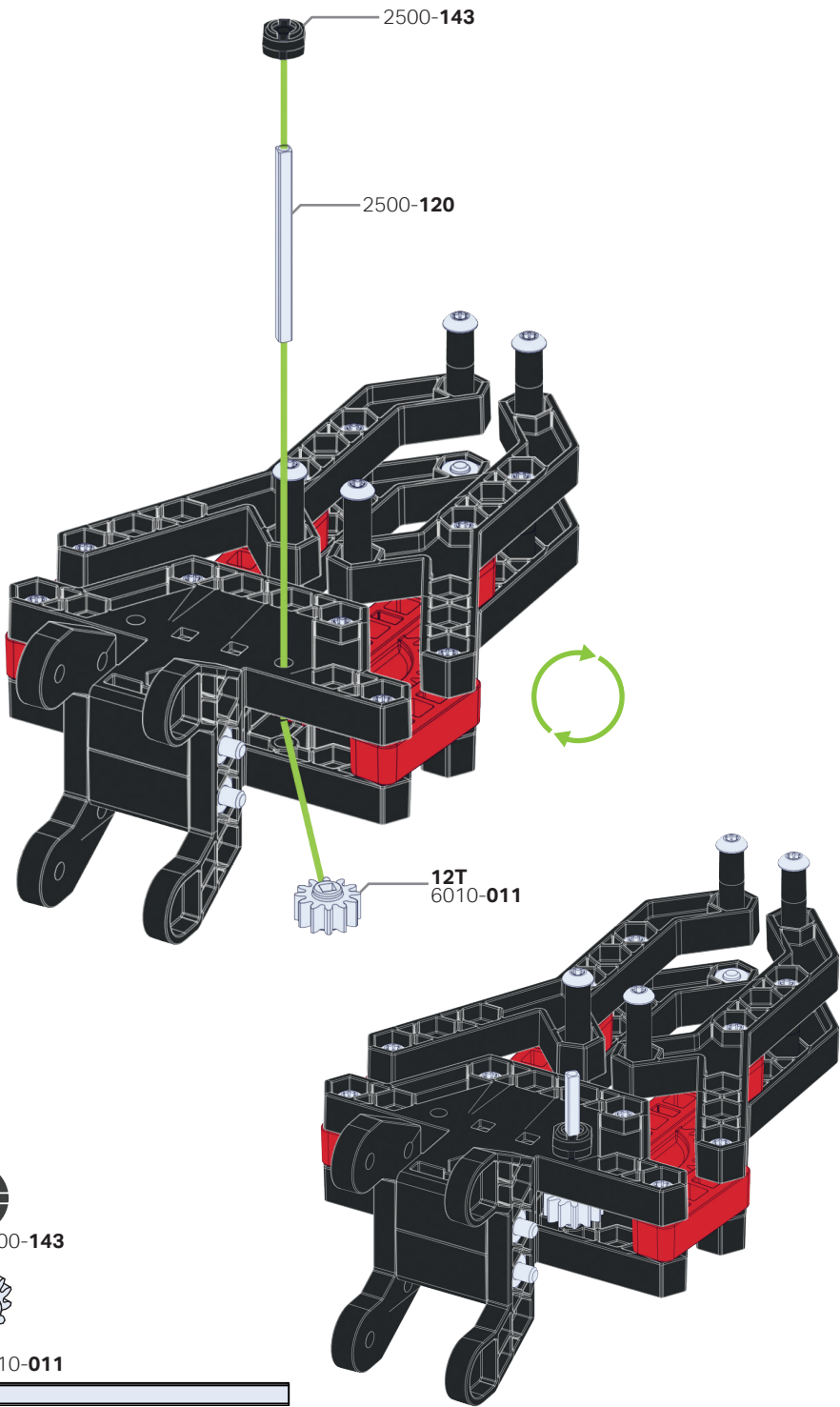
2500-143



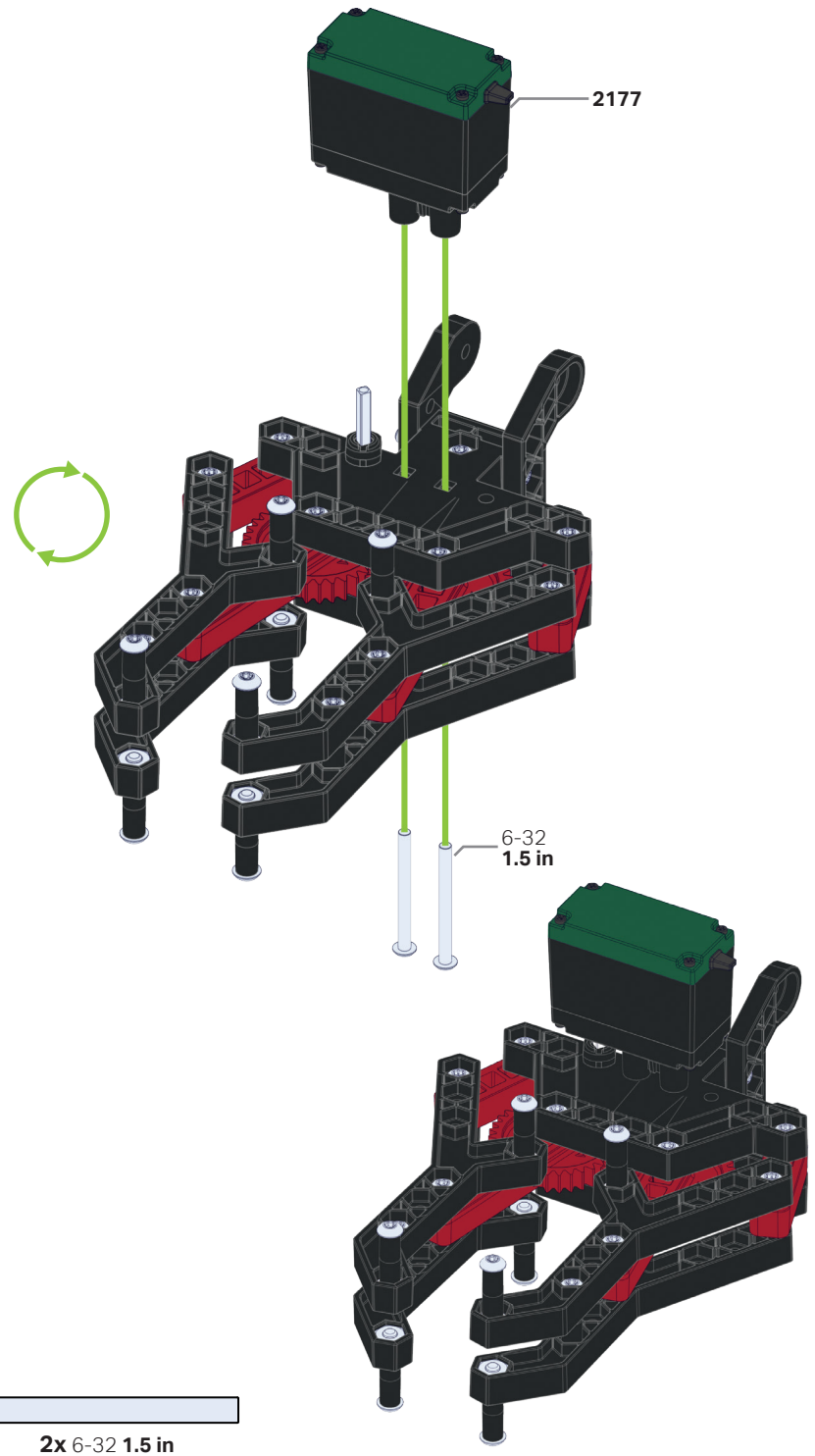
2x 2500-143

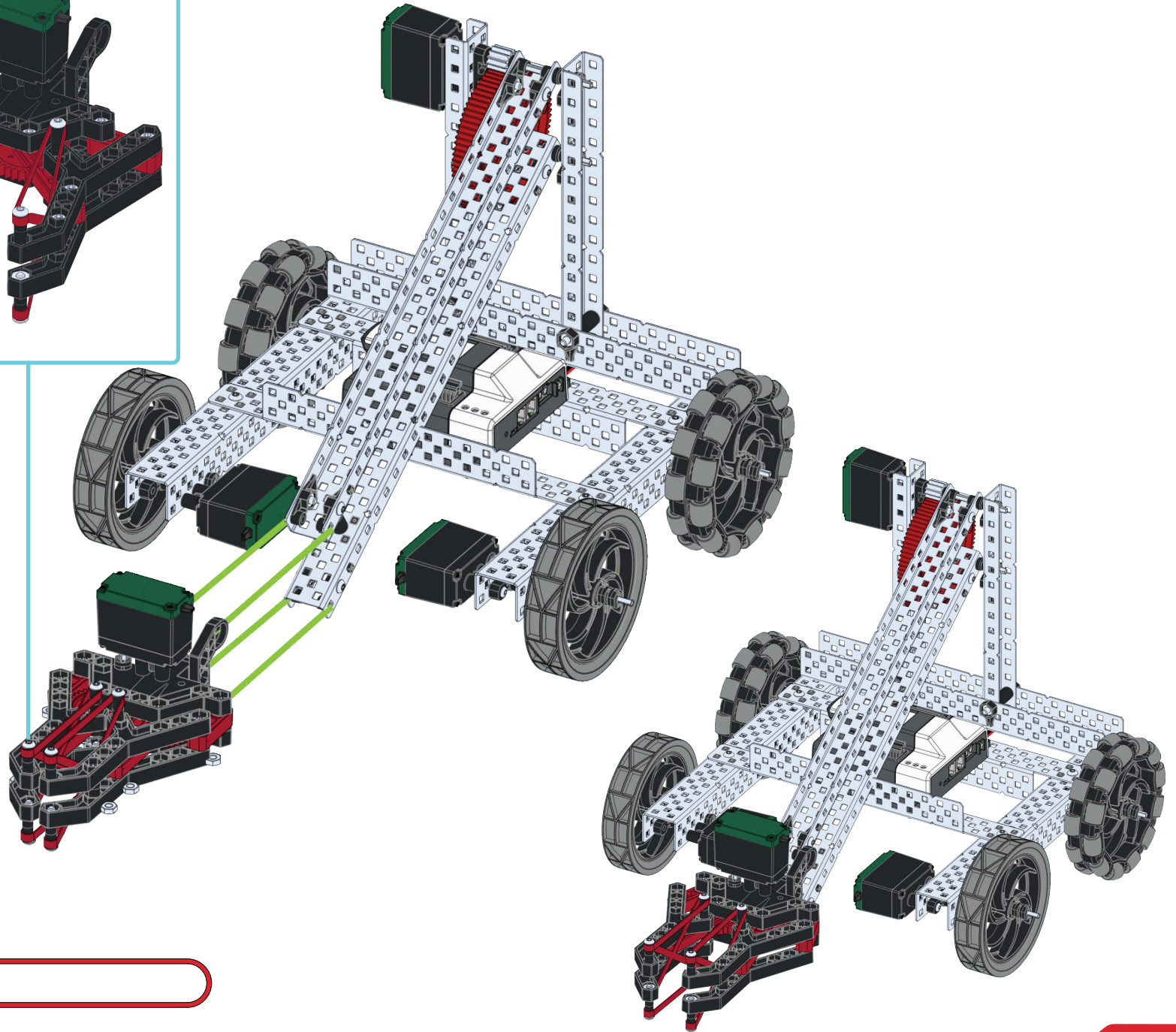
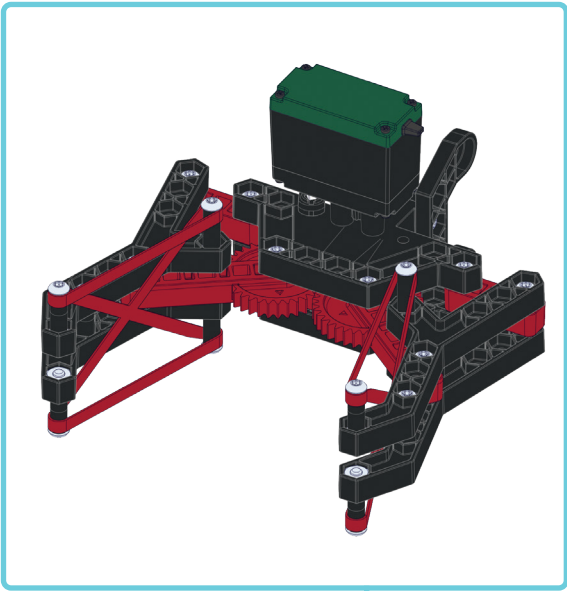


37

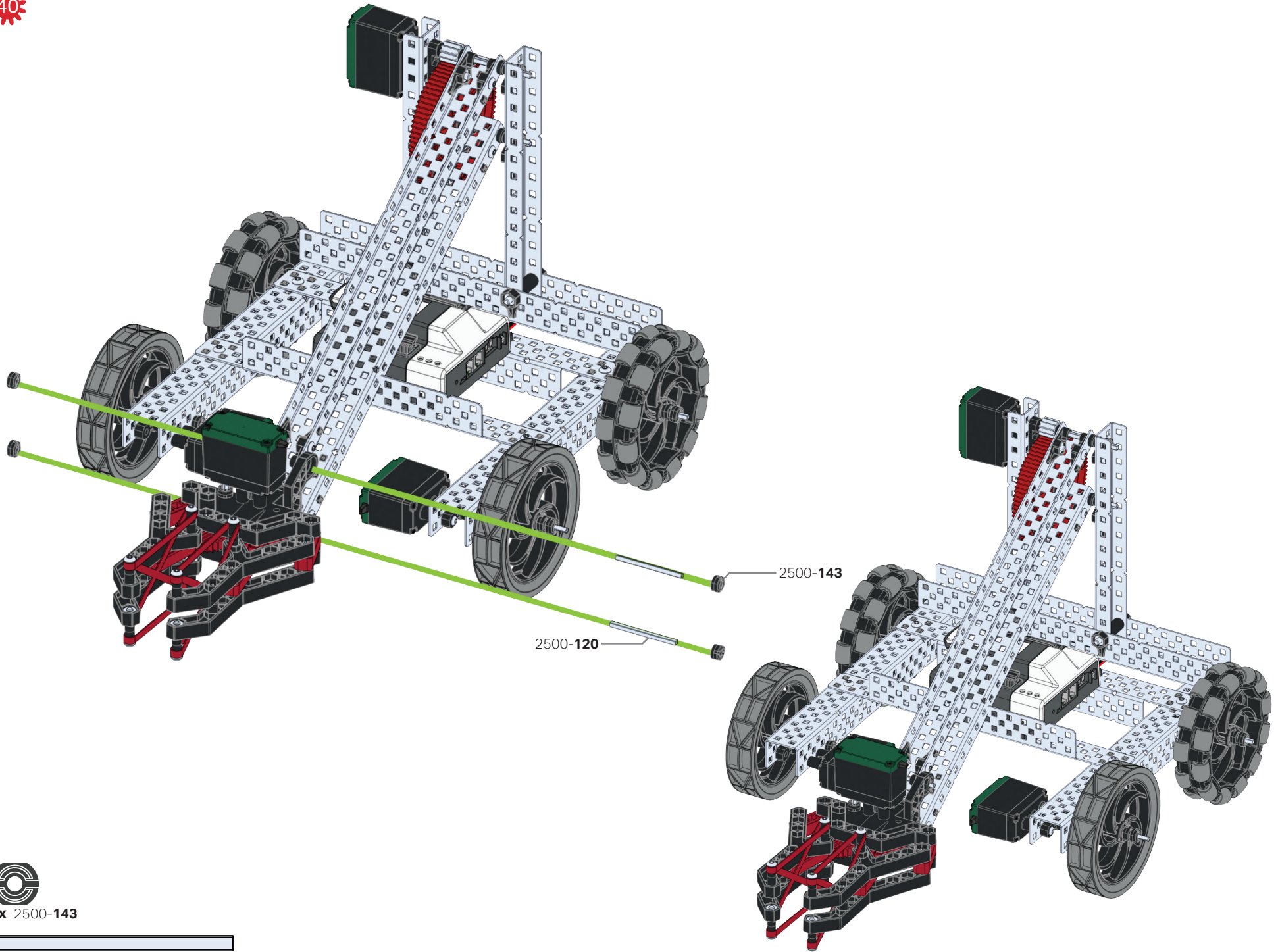


38



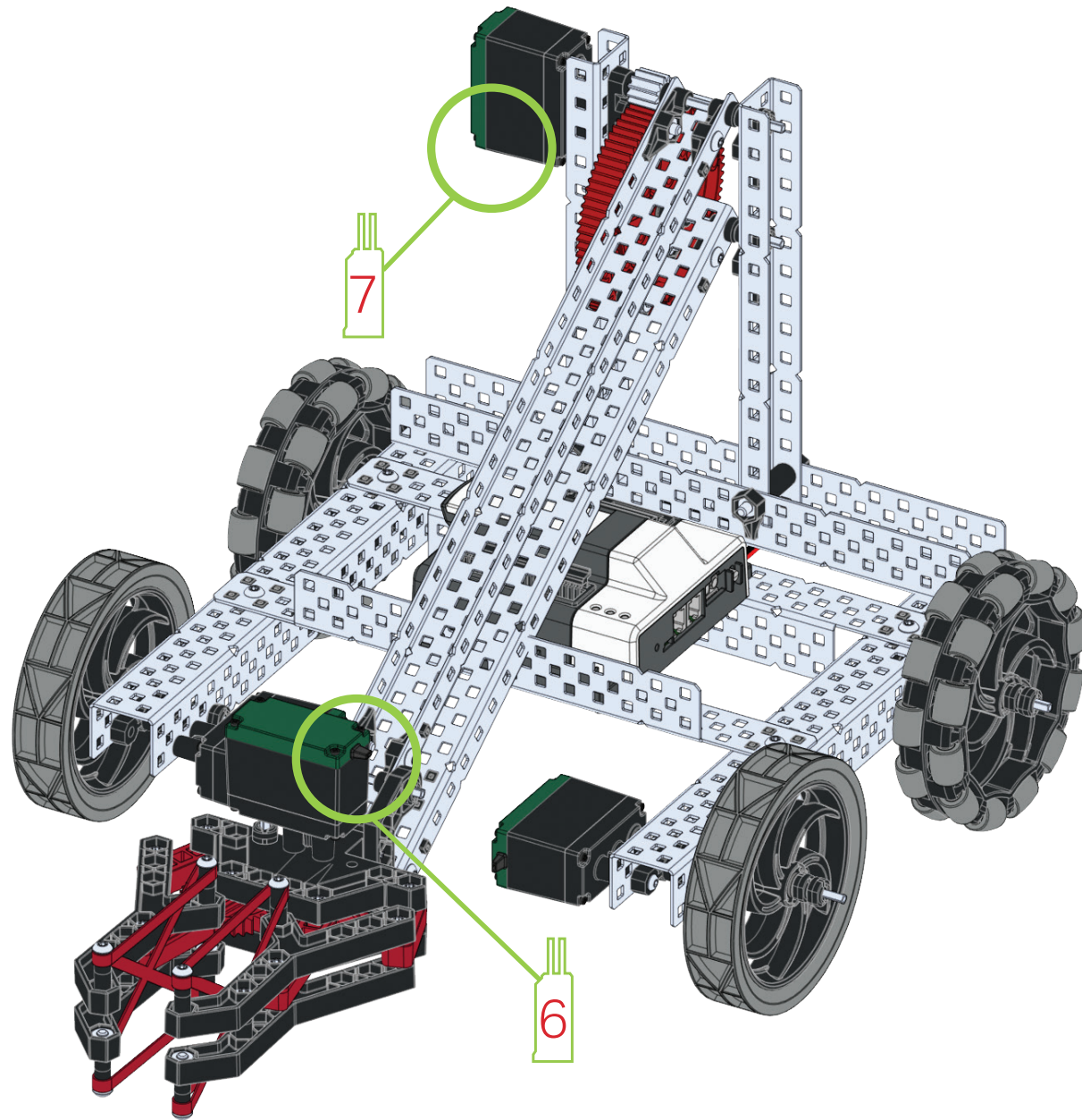


2x 4133-474



4x 2500-143

2x 2500-120



Cortex Clawbot Build Instructions

276-6009-751 Rev1



Custom manufactured in China for Innovation First Trading SARL. Distributed in the U.S.A. by VEX Robotics, Inc., 6725 W. FM 1570, Greenville, TX 75402, U.S.A. Distributed in Europe by Innovation First Trading SARL, 21b rue Gabriel Lippmann, L-5365 Munsbach, Luxembourg +352 27 86 04 87. Distributed in Canada by / Distribué au Canada par / Innovation First Trading, Inc., 6725 W. FM 1570, Greenville, TX 75402, U.S.A. ©2018 VEX Robotics, Inc. All rights reserved. Tous droits réservés.