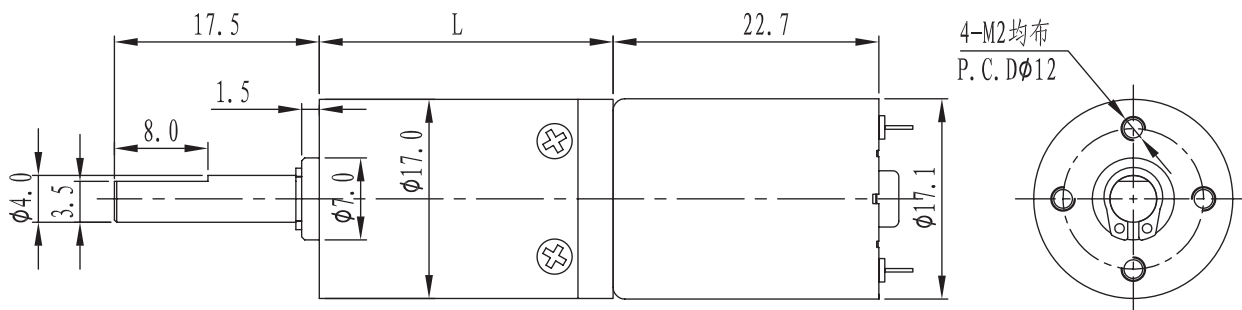


ZGX17RU(A4X44)

Housing Material	Steel-Zinc
Bearing	Sleeve Bearing
Radial Force	≤ 0.5 kgf
Axial Force	≤ 0.5 kgf
Max.Axial Pressing force	≤ 1.5 kgf
Radial Play	≤ 0.15 mm
Axial Play	≤ 0.3 mm



Dimension(mm)



Specifications

DC Motor	Reduction Ratio	1/16	1/22.6	1/64	1/90	1/107.2	1/256	1/361	1/428	1/509
ZYTD-RF130 (12V-5600R)	NoLoad(r/min)	345	240	87	60	51	20	16	12.5	10
	OnLoad(r/min)	255	200	70	49	40	15	11	9	8
	Onload Torque(gf.cm)	50	70	120	150	300	600	750	1300	1500
Default Direction		CW								

Gearbox Specifications

Reduction Ratio	L mm	Stages	Allowable Torque	
			mN.m	gf.cm
1/16~1/22.6	25.1	2	490	500
1/64~1/107.2	30.1	3	980	1000
1/256~1/509	35.1	4	1470	1500